

1

2

3

4

D

D

C

C

B

B

A

A

RICH-MAR

WINNER

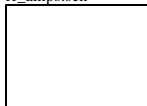
REV E (REDLINED)

PCB: SYN03E

SX MCU
sx_mcu.sch



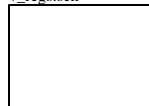
RF AMPS
rf_amps.sch



RF ISO
rf_iso.sch



VOLTAGE REGS
v_regs.sch



Title				WINNER			
Size: A	Number: SYN03E	Rev: E	Sheet 1 of 5				
Date: 17-Oct-2001		Drawn by: B.Reddy					
File: X:\Rich-Mar\Checkers\Stim Engine\Rev_E\Schem-SYN03E\Stim_eng.DDB - Doc							

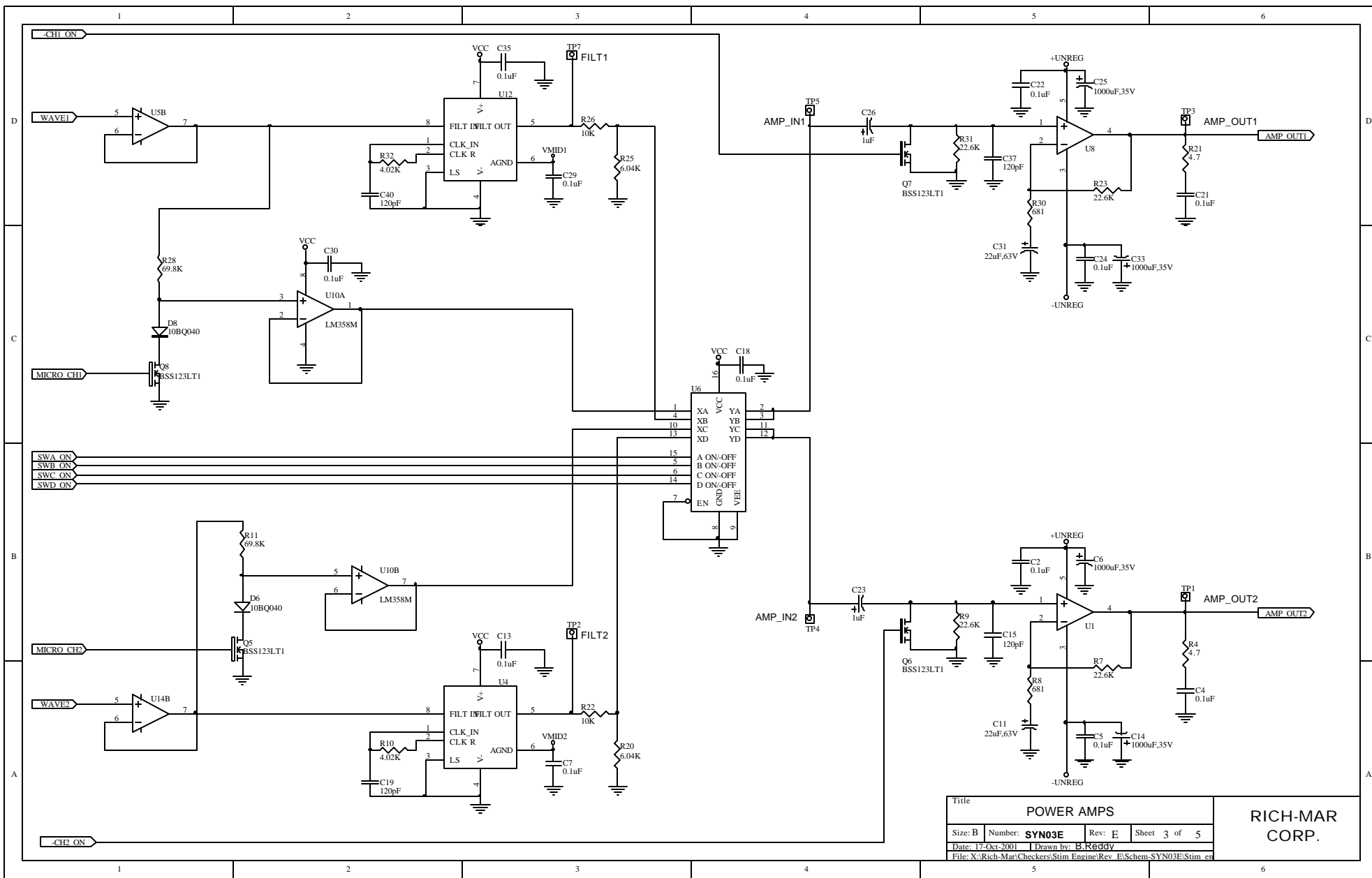
RICH-MAR CORP.

1

2

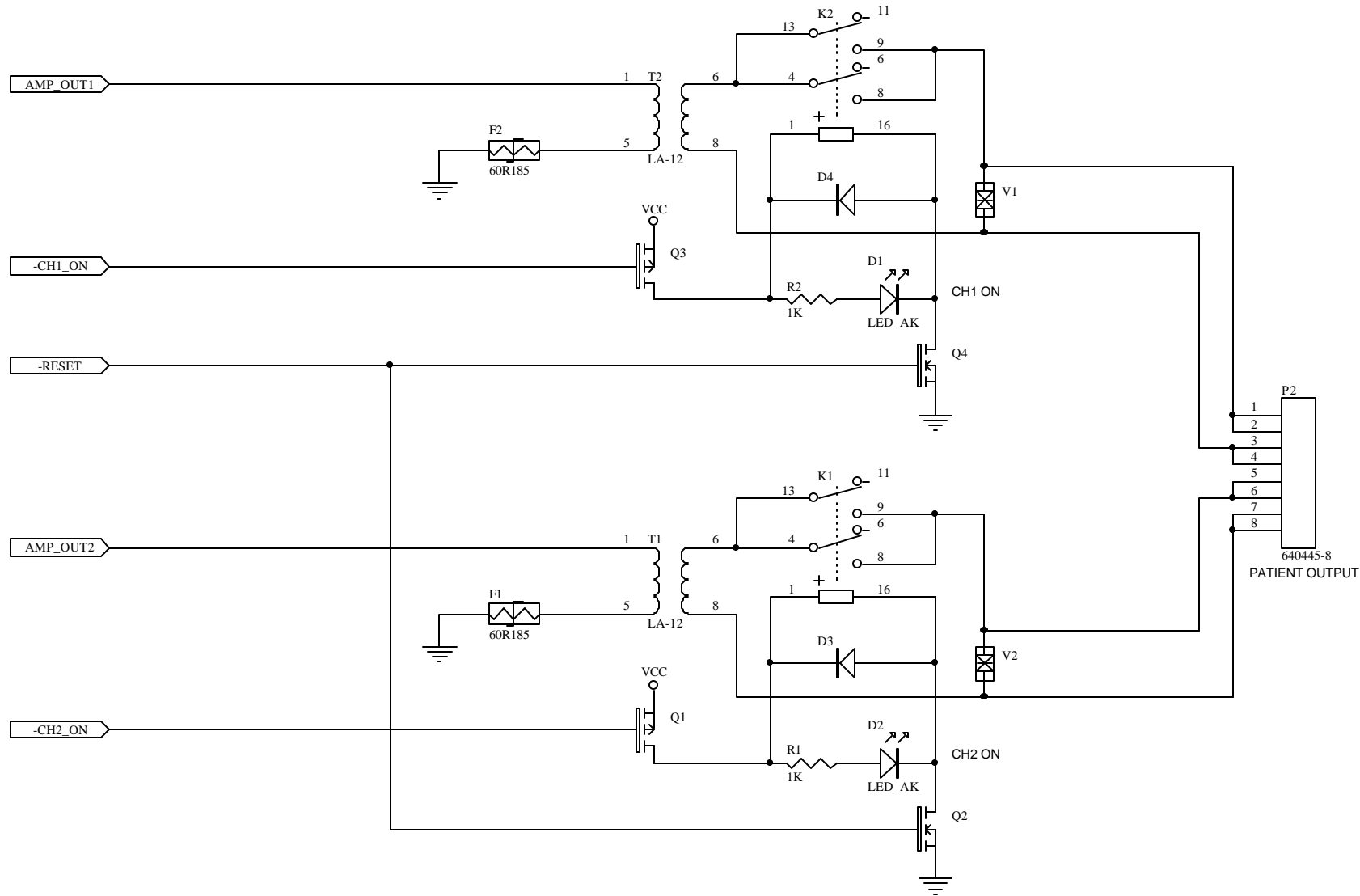
3

4



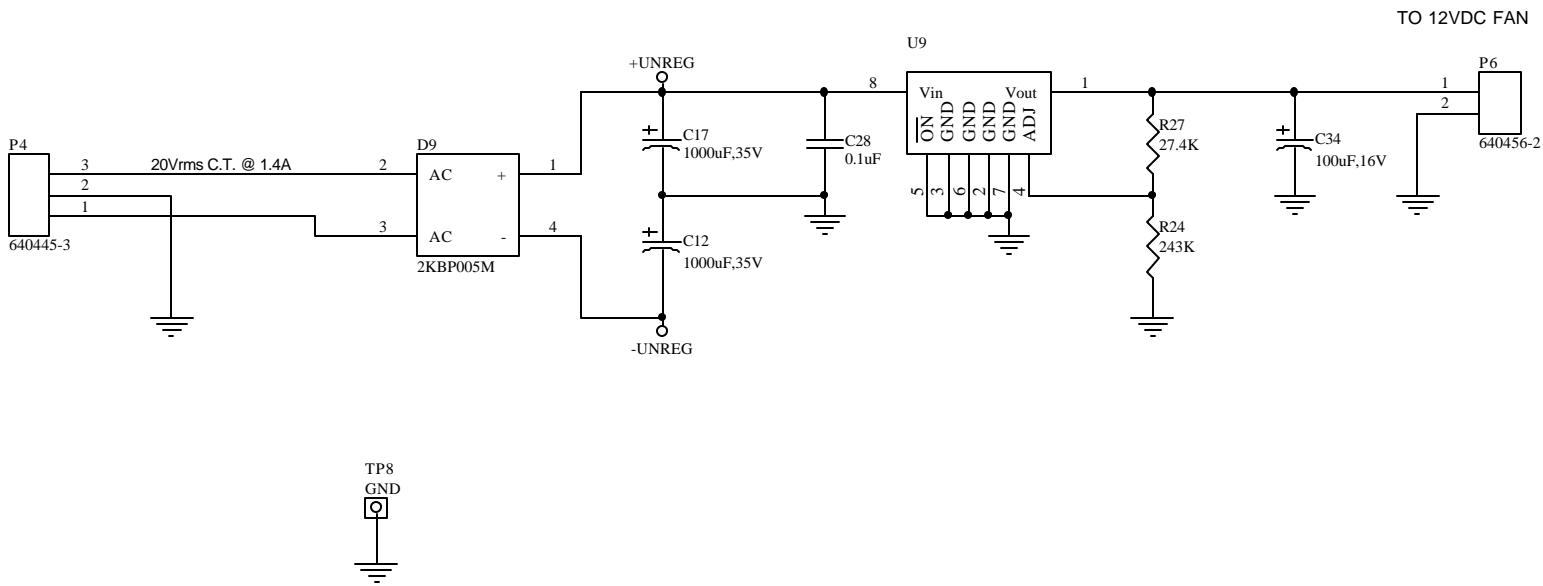
Title			
POWER AMPS			
Size: B	Number: SYN03E	Rev: E	Sheet 3 of 5
Date: 17-Oct-2001	Drawn by: B.Reddy		
File: X:\Rich-Mar\Checkers\Stim Engine\Rev_E\Schem\SYN03E\Stim.eda			

RICH-MAR
CORP.



Title			
OUTPUT ISOLATION			
Size: A	Number: SYN03E	Rev: E	Sheet 4 of 5
Date: 17-Oct-2001	Drawn by: B.Reddy		
File: X:\Rich-Mar\Checkers\Stim Engine\Rev_E\Schem-SYN03E\Stim_eng.DDB - Doc			

**RICH-MAR
CORP.**



Title			
POWER INPUT			
Size: A	Number: SYN03E	Rev: E	Sheet 5 of 5
Date: 17-Oct-2001	Drawn by: B.Reddy		
File: X:\Rich-Mar\Checkers\Stim Engine\Rev_E\Schem-SYN03E\Stim_eng.DDB - Doc			

**RICH-MAR
CORP.**