

1

2

3

4

D

D

C

C

B

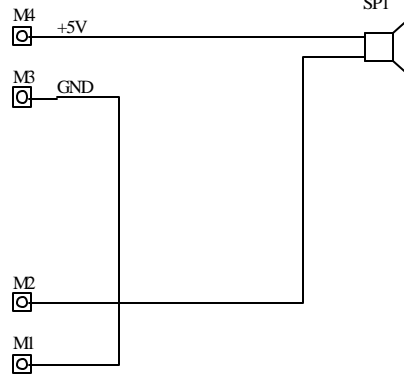
B

A

A

WIRE SOLDER PADS  
(5V INPUT)

LEAD CORD  
MOUNTING POST HOLES



PCB: SYN08A

Title				LEAD CORD BEEPER			
Size: A	Number:	Rev: A	Sheet	1	of	1	
Date: 11-Jan-2002	Drawn by: B.Reddy						
File: X:\Rich-Mar\Checkers\Lead Cord Beeper - SYN08\Rev_A\SCHEM\LEAD COR							

**RICH-MAR  
CORP.**

1

2

3

4