

1

2

3

4

D

D

C

C

B

B

A

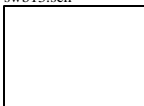
A

RICH-MAR WINNER

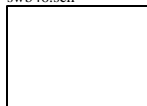
FRONT PANEL - MAIN (MATES WITH DISPLAY BOARD) REV C

BD: BD2690-1
PCB: PT115C

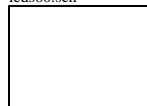
SW BANK 1-3
swb13.sch



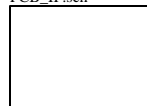
SW BANK 4-6
swb46.sch



LEDS
leds60.sch



IF TO DISPLAY
PCB_IF.sch



Title				WINNER FRONT PANEL - MAIN			
Size: A	Number: BD2690-1	Rev: C	Sheet 1 of 3				
Date: 17-Oct-2001	Drawn by: B.Reddy						
File: X:\Rich-Mar\Checkers\Front Panel\Stx.fp - PT115\Rev_C\Schem - PT115C\FP_M							

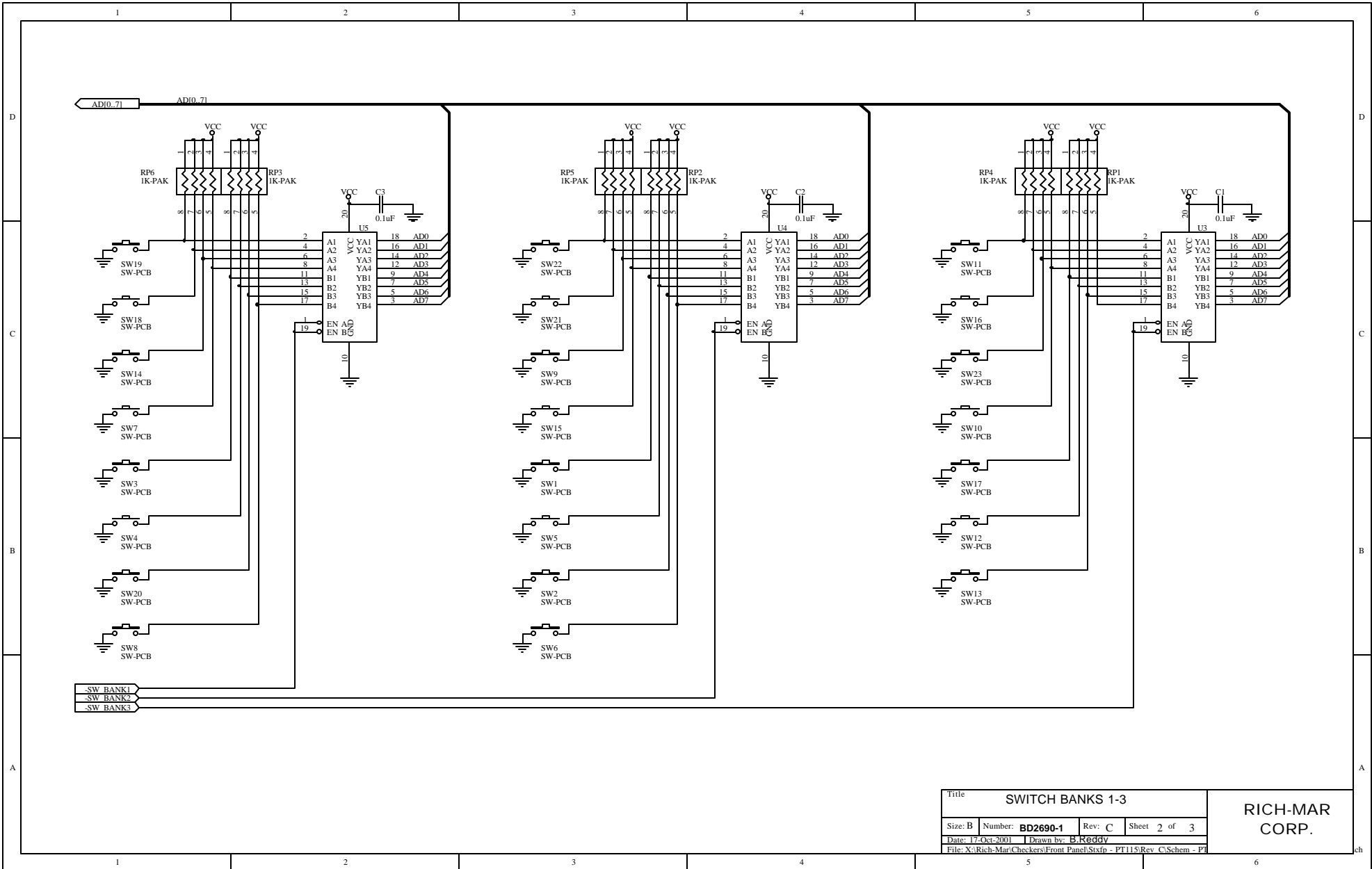
**RICH-MAR
CORP.**

1

2

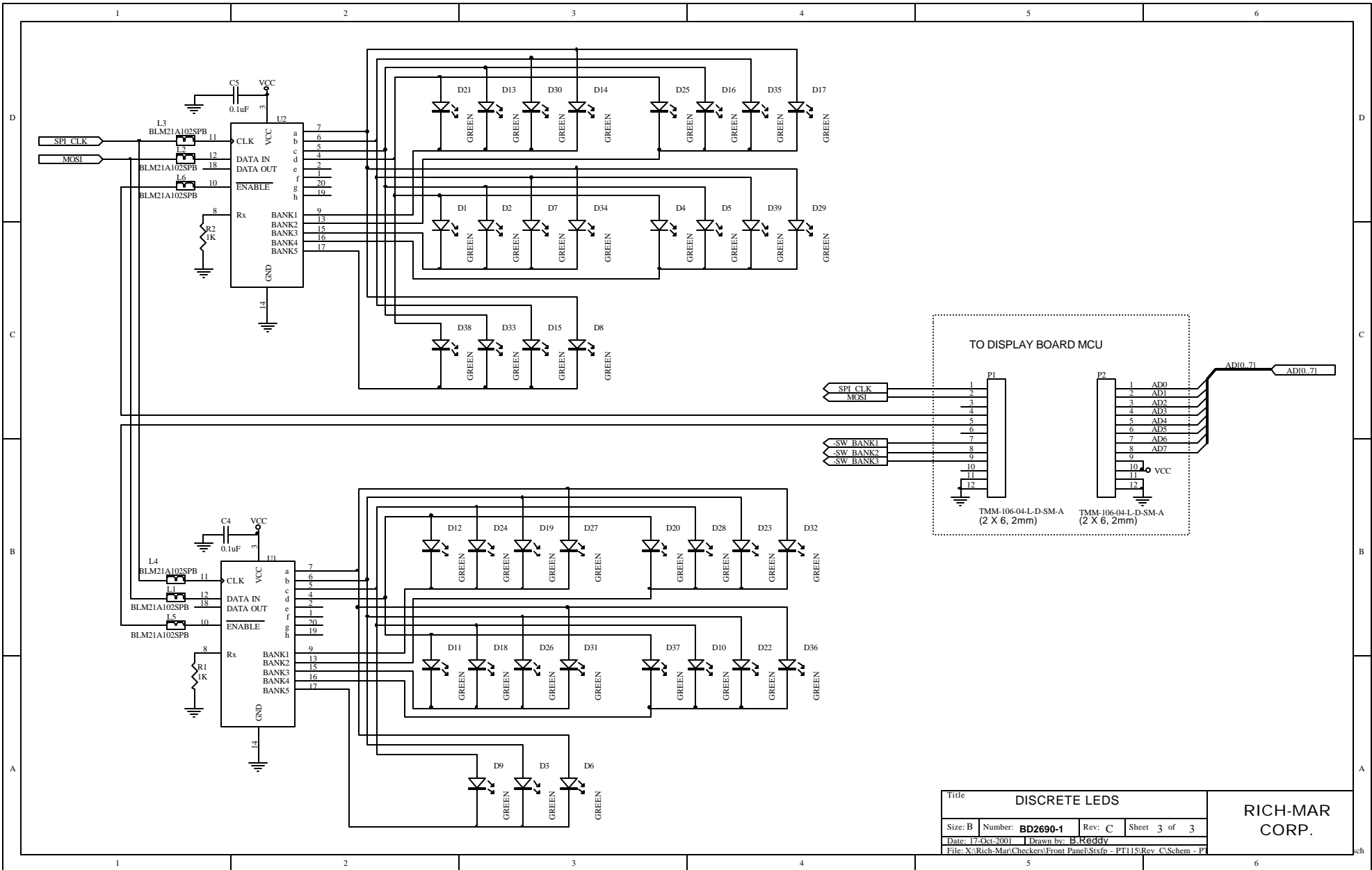
3

4



Title				SWITCH BANKS 1-3			
Size: B	Number: BD2690-1	Rev: C	Sheet 2 of 3				
Date: 17-Oct-2001				Drawn by: B.Reddy			
File: X:\Rich-Mar\Checkers\Front Panel\Sixfp - PT115\Rev C\Schem - P1							

**RICH-MAR
CORP.**



Title				DISCRETE LEDES			
Size: B	Number: BD2690-1	Rev: C	Sheet 3 of 3				
Date: 17-Oct-2001 Drawn by: B.Reddy							
File: X:\Rich-Mar\Checkers\Front Panel\Sixfo - PT115\Rev C\Schem - P							

**RICH-MAR
CORP.**