

1

2

3

4

D

D

C

C

B

B

A

A

RICH-MAR

WINNER

FRONT PANEL - DISPLAY

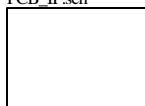
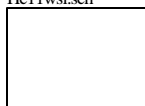
REV D1

BD: BD2690-2

PCB: PT116D

MCU & MEM
Hc11wsl.sch

IF TO MAIN
PCB_IF.sch



Title				CHECKERS FRONT PANEL - DISPLAY			
Size: A	Number: BD2690-2	Rev: D1	Sheet	1	of	4	
Date: 22-Feb-2002	Drawn by: B.Reddy						
File: X:\Rich-Mar\Checkers\Front Panel\UIControl - PT116\Rev_D\Schem - PT116D.H							

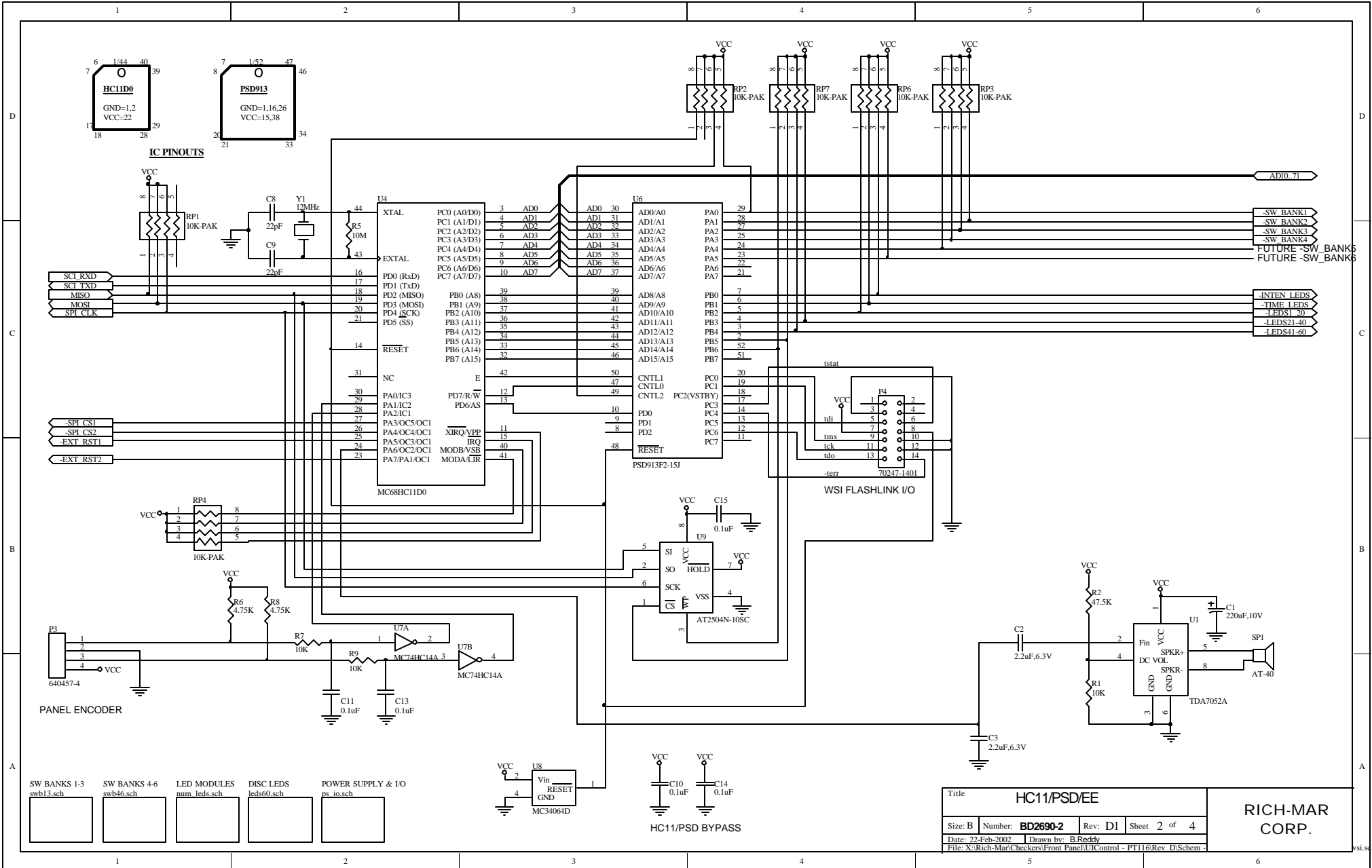
RICH-MAR CORP.

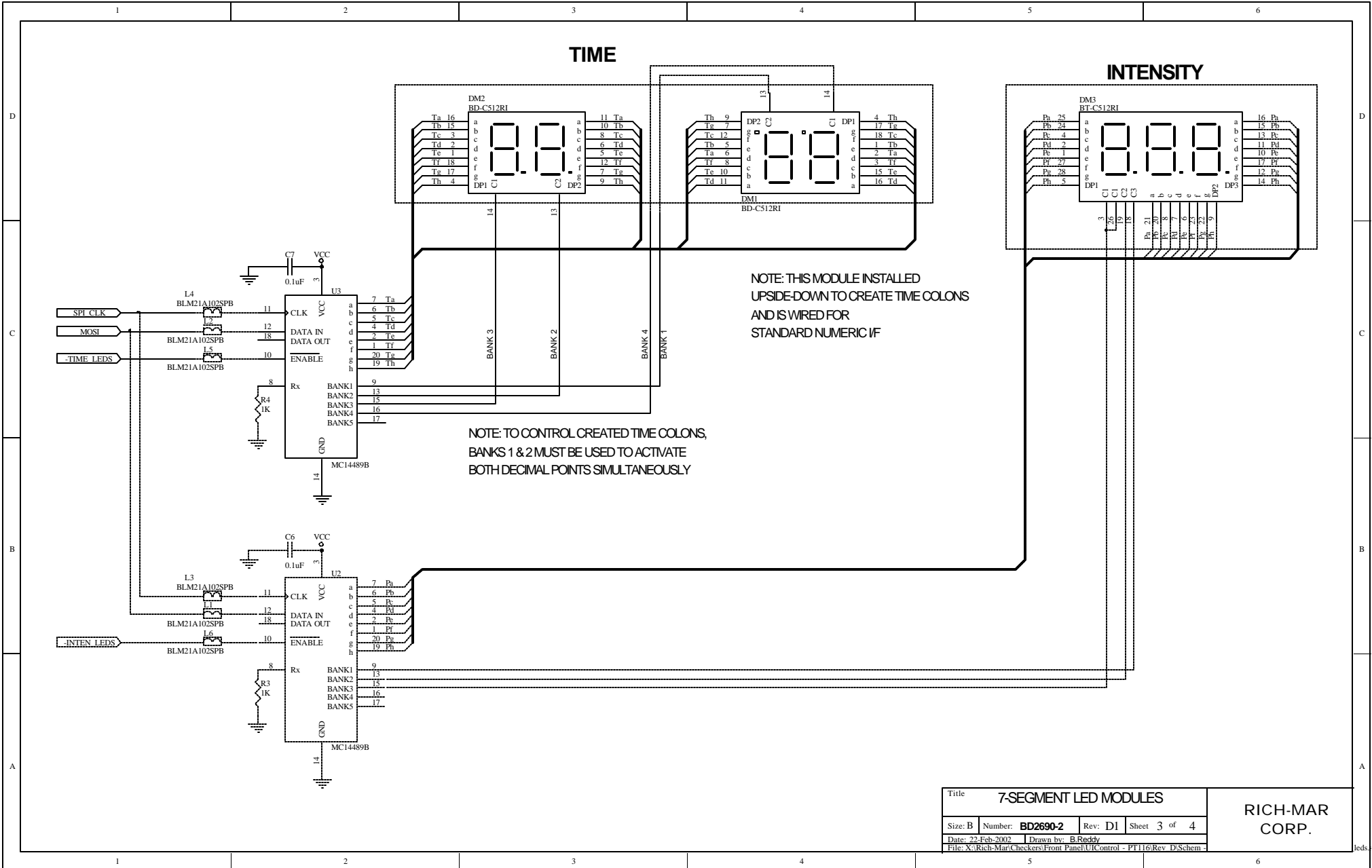
1

2

3

4

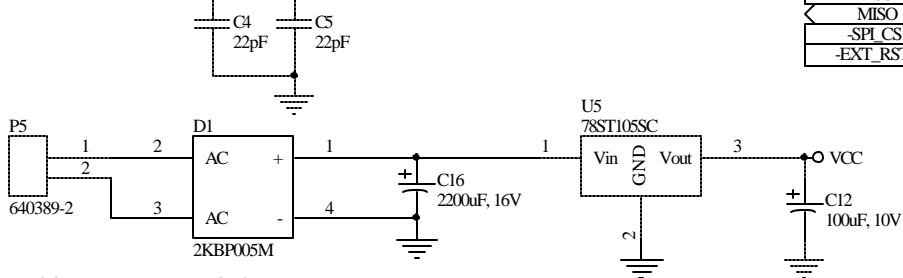
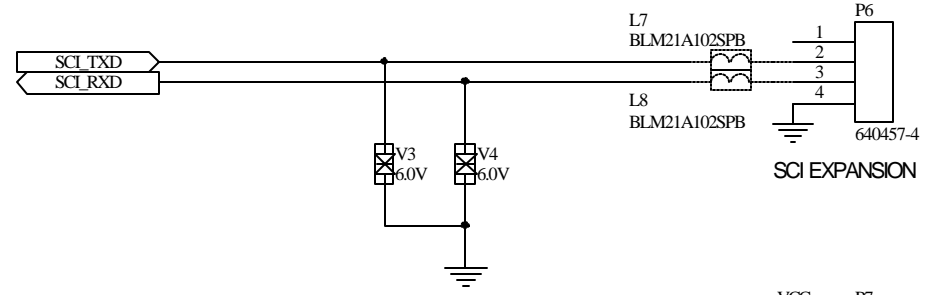
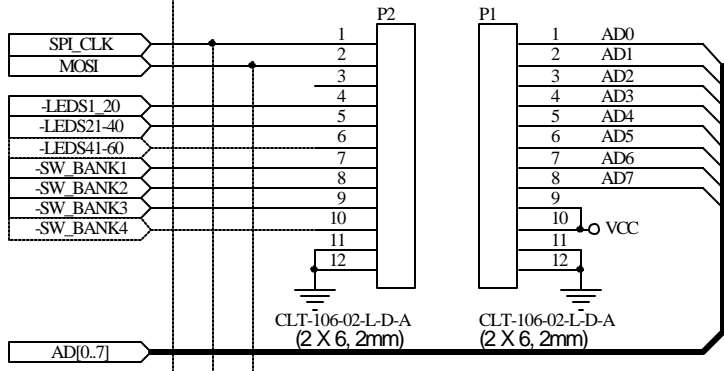




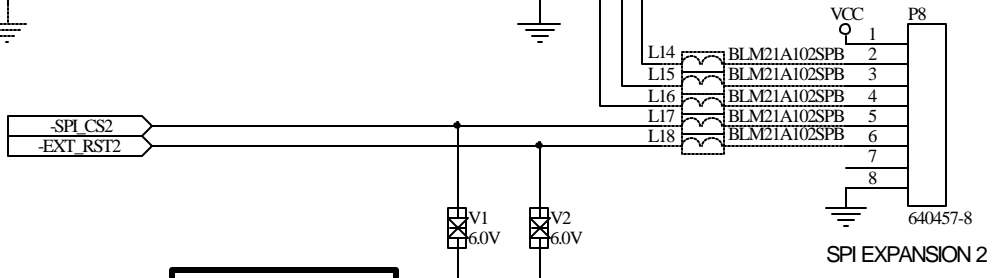
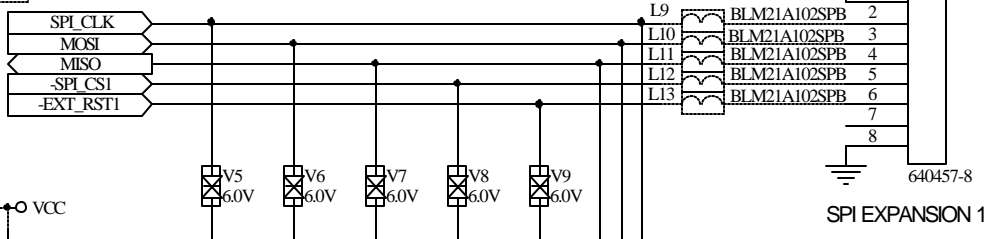
Title			
7-SEGMENT LED MODULES			
Size: B	Number: BD2690-2	Rev: D1	Sheet 3 of 4
Date: 22-Feb-2002	Drawn by: B.Reddy		
File: X:\Rich-Mar\Checkers\Front Panel\UIControl - PT116\Rev D\Schem			

**RICH-MAR
CORP.**

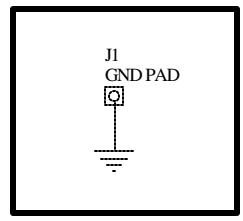
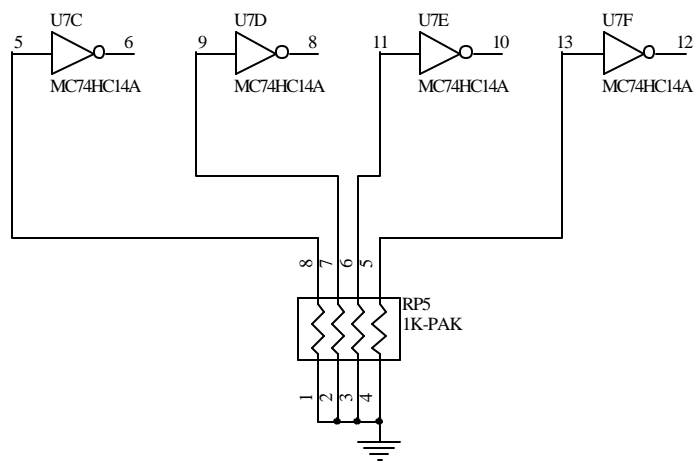
TO MAIN BOARD LEDS AND SWITCHES



RECOMMENDED TRANSFORMER:
SIGNAL TRANSFORMER P/N: DP 241-5-12
(12.6VCT@1A, CENTER TAP NOT USED)



SPARE GATES



Title				POWER AND EXPANSIONS				<p>RICH-MAR CORP.</p>			
Size:	A	Number:	BD2690-2	Rev:	D1	Sheet	4 of 4				
Date:	22-Feb-2002	Drawn by:	B.Reddy								
File: X:\Rich-Mar\Checkers\Front Panel\UIControl - PT116\Rev_D\Schem - PT116D.f											