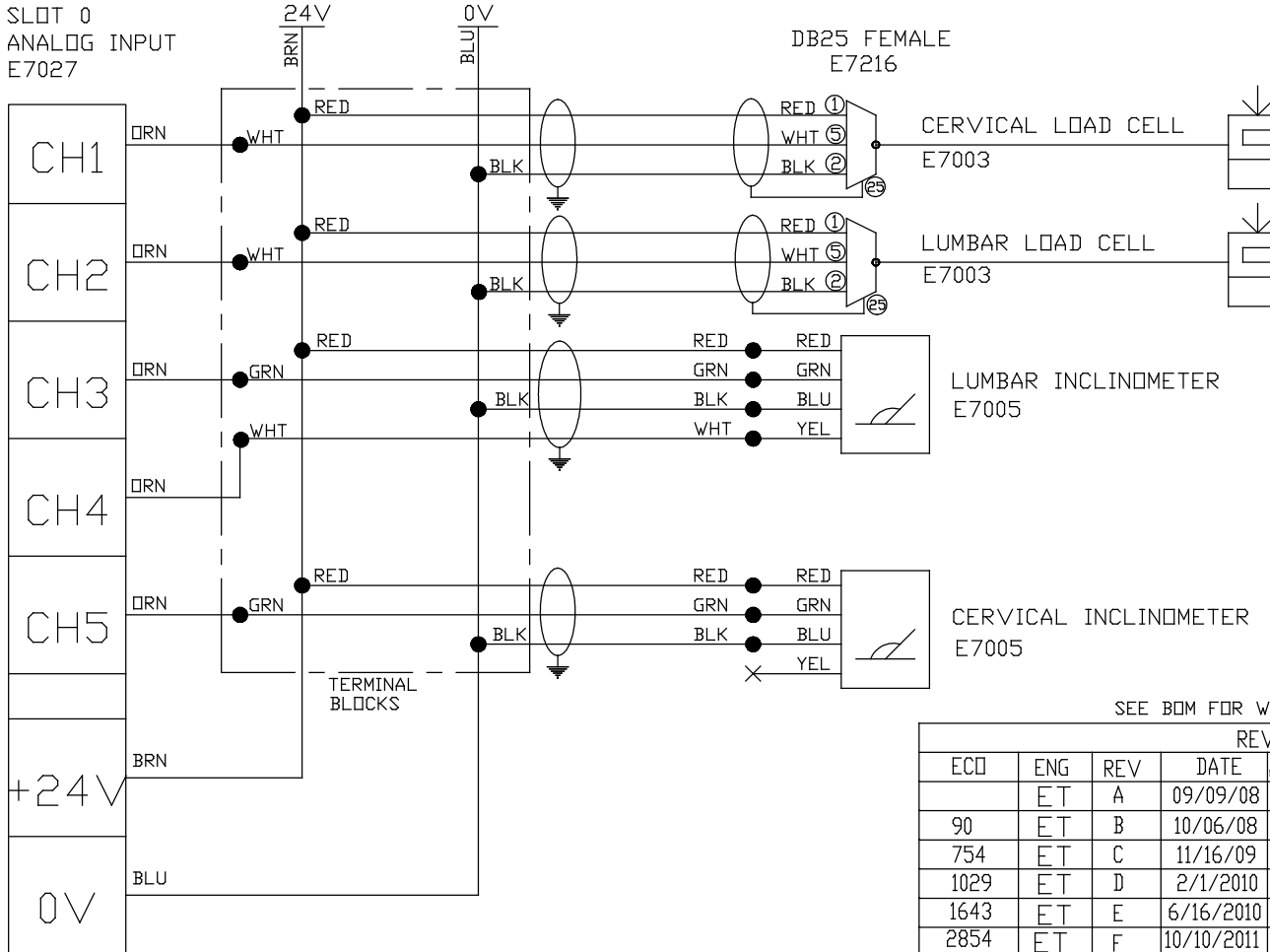


SLOT 0
ANALOG INPUT
E7027



SEE BOM FOR WIRE PART NUMBERS

REVISIONS							
ECD	ENG	REV	DATE	APPROVAL	DATE	ALE/AAL	DATE
	ET	A	09/09/08				
90	ET	B	10/06/08				
754	ET	C	11/16/09	PWK	11/17/09		
1029	ET	D	2/1/2010	QJG	2/1/2010		
1643	ET	E	6/16/2010	PWK	06/16/10		
2854	ET	F	10/10/2011	PWK	10/10/2011		
3486	ET	G	3/13/2012	PWK	3/19/2012		

DIMENSIONS ARE IN INCHES
TOLERANCES:
FRACTIONAL ± .0625
ANGULAR: MACH ± 1 BEND ± 1
ONE PLACE DECIMAL ± .1
TWO PLACE DECIMAL ± .05
THREE PLACE DECIMAL ± .005

PROPRIETARY AND CONFIDENTIAL
THE INFORMATION CONTAINED
IN THIS DRAWING IS THE SOLE
PROPERTY OF EUROTECH TABLES.
ANY REPRODUCTION IN PART OR
AS A WHOLE WITHOUT THE WRITTEN
PERMISSION OF PIVOTAL HEALTH
IS PROHIBITED.

Pivotal Health Solutions
724 Oakwood Rd.
Watertown, SD 57201
pivotalhealthsolutions.com
ph. 605-753-0110
fax. 605-882-8398

DO NOT SCALE DRAWING
MATERIAL
DWG. NO. Z1047
DESC. DOC TABLE
ELECTRICAL PRINT

