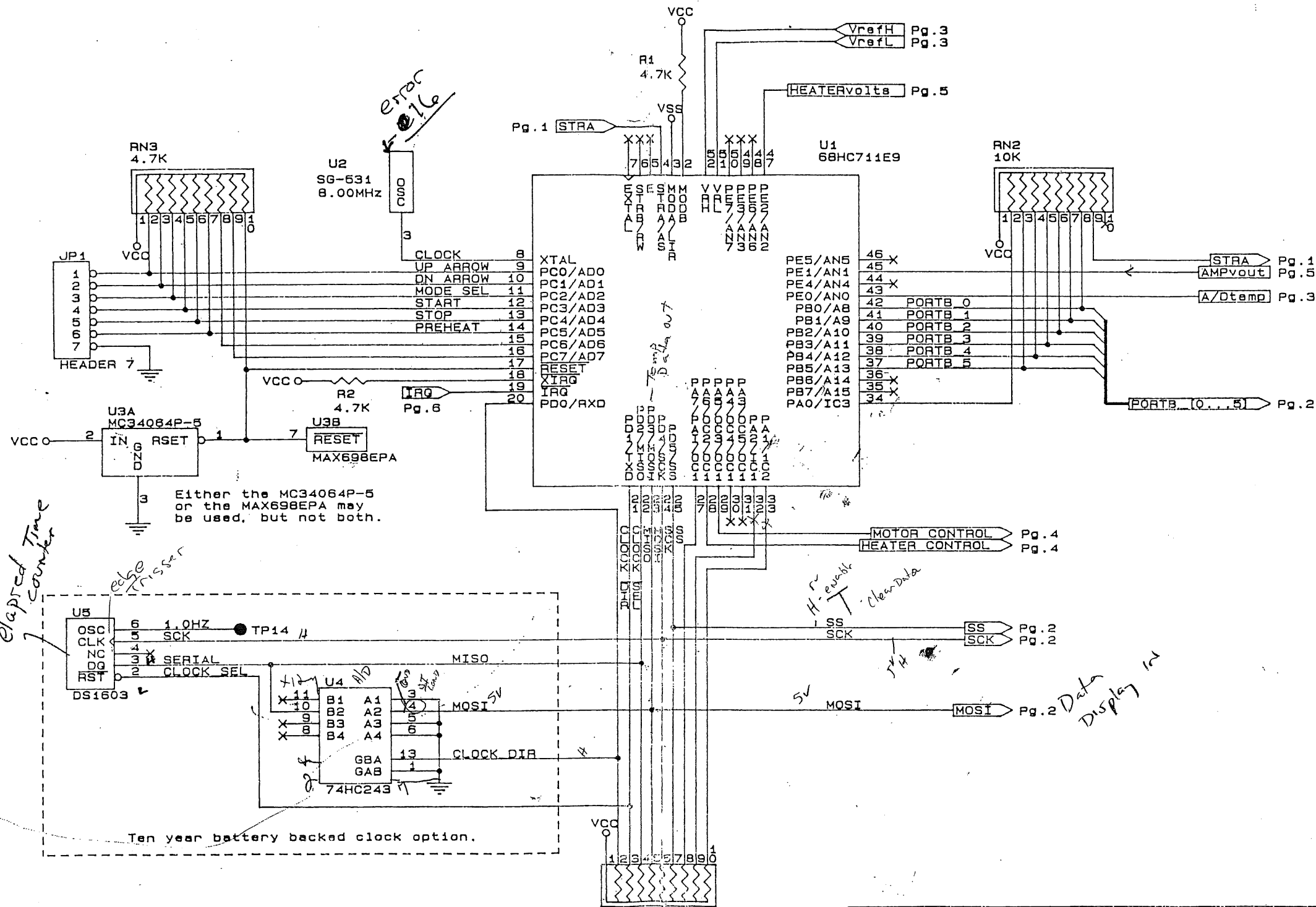


MAIN_CPU.SCH
 LINK
 DISPLAY.SCH
 THERM4.SCH
 TRIACS.SCH
 DIAGNOST.SCH
 POWER.SCH



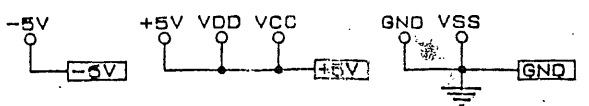
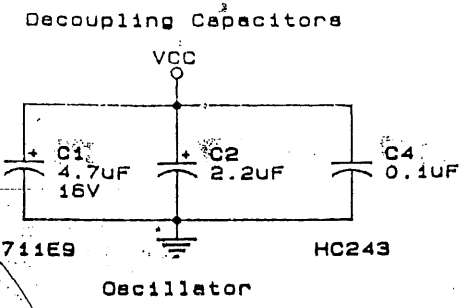
Either the MC34064P-5 or the MAX698EPA may be used, but not both.

Elapsed Time counter

clock driver

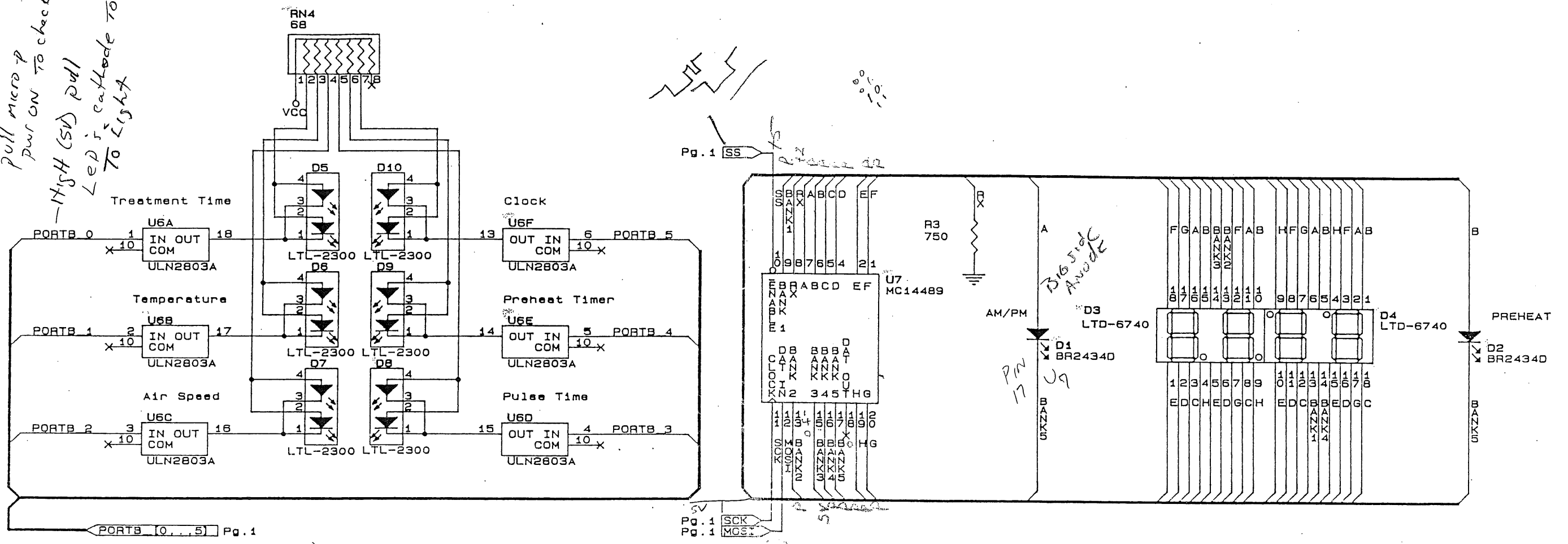
Ten year battery backed clock option.

5V MOSI Data Display in

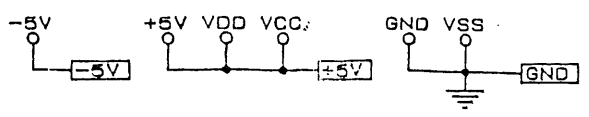
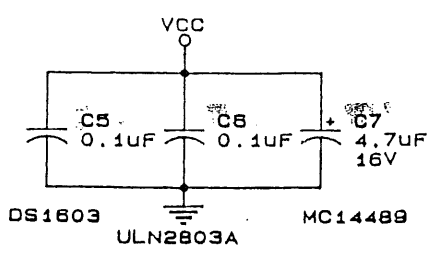


HENLEY INTERNATIONAL 104 INDUSTRIAL BLVD. SUGAR LAND, TX 77478			
Fluid Therapy CPU and Clock			
SIZE	CAGE CODE	DWG NO	REV
B			C
January 3, 1996		SCALE	SHEET 1 OF 6

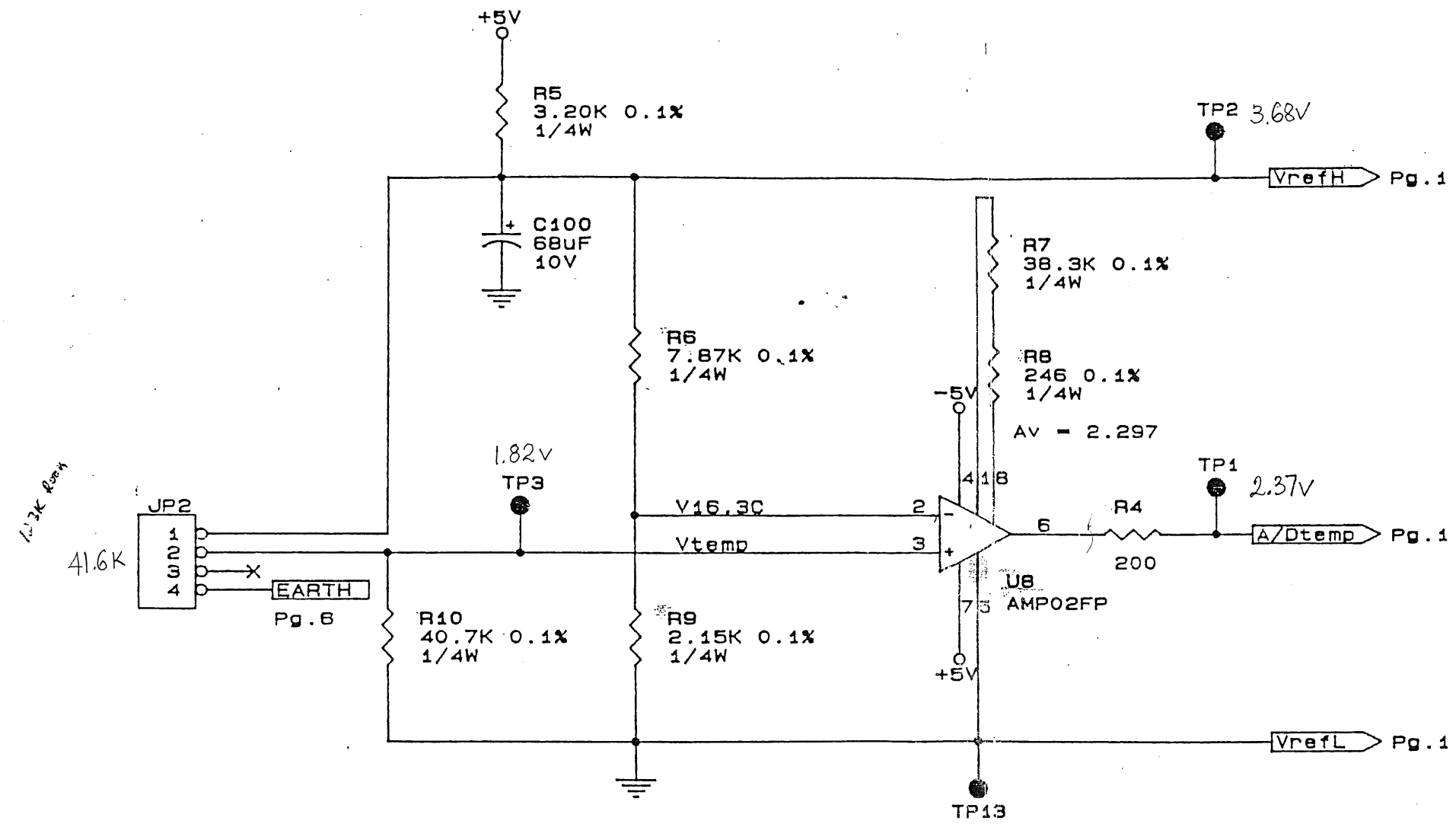
Pull micro pwr on to check u6
 - High (5V) pull
 LED's cathode to Ground
 To Light



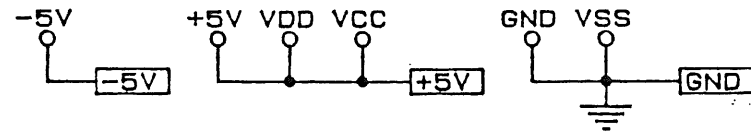
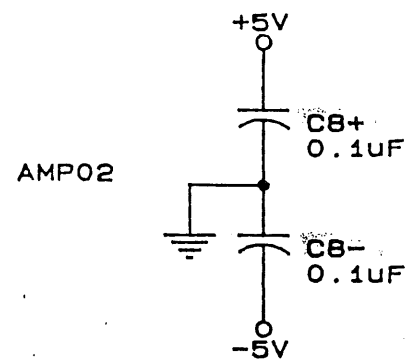
Decoupling Capacitors



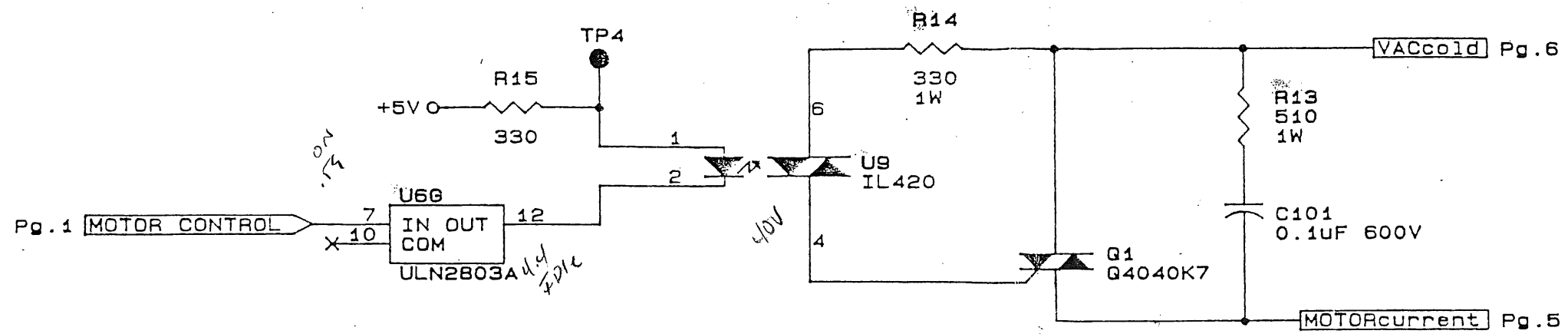
HENLEY INTERNATIONAL 104 INDUSTRIAL BLVD. SUGAR LAND, TX 77478	
Fluido Therapy Display and Drivers	
January 3, 1996	SCALE
SIZE B	CAGE CODE
DWG NO	REV C
SHEET 2 OF 6	



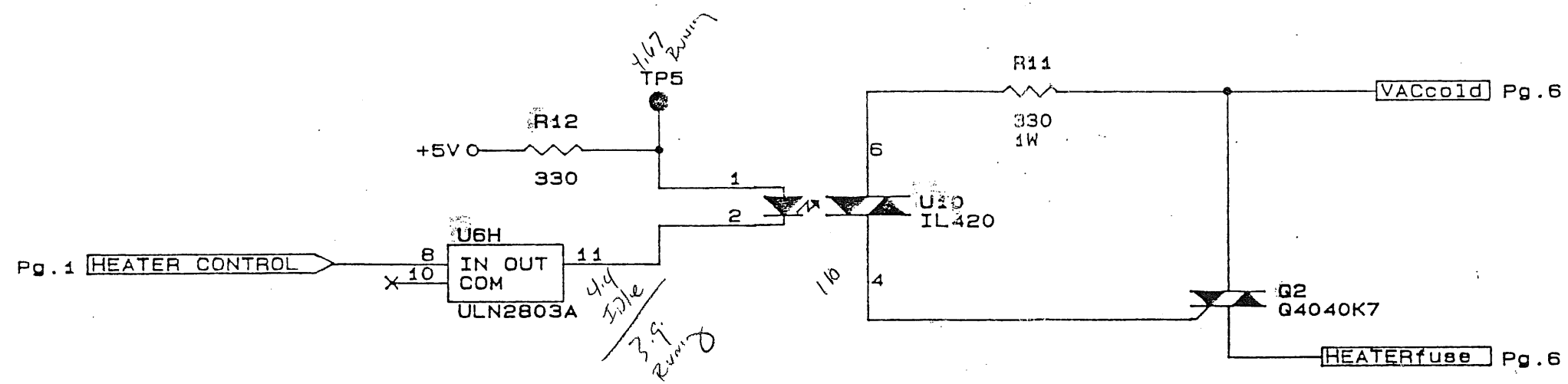
Decoupling Capacitors



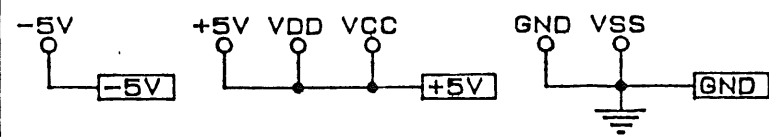
HENLEY INTERNATIONAL 104 Industrial Blvd. Sugar Land, TX 77478			
SIZE	CAGE CODE	DWG NO	REV
A			C
January 3, 1996		SCALE	SHEET 3 OF 6



MOTOR DRIVE CIRCUIT



HEATER DRIVE CIRCUIT



HENLEY INTERNATIONAL
104 INDUSTRIAL BLVD.
SUGAR LAND, TX 77478

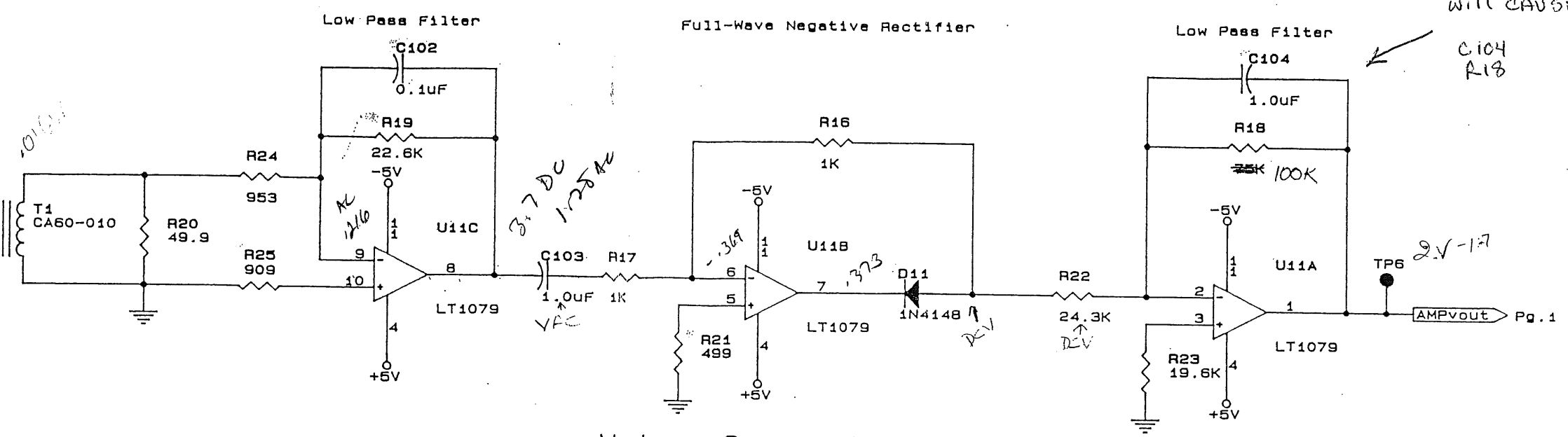
Fluido Therapy Motor and Heater Drivers

January 3, 1996		SIZE A	CAGE CODE	DWG NO	REV C
SCALE		SHEET		4 OF 6	

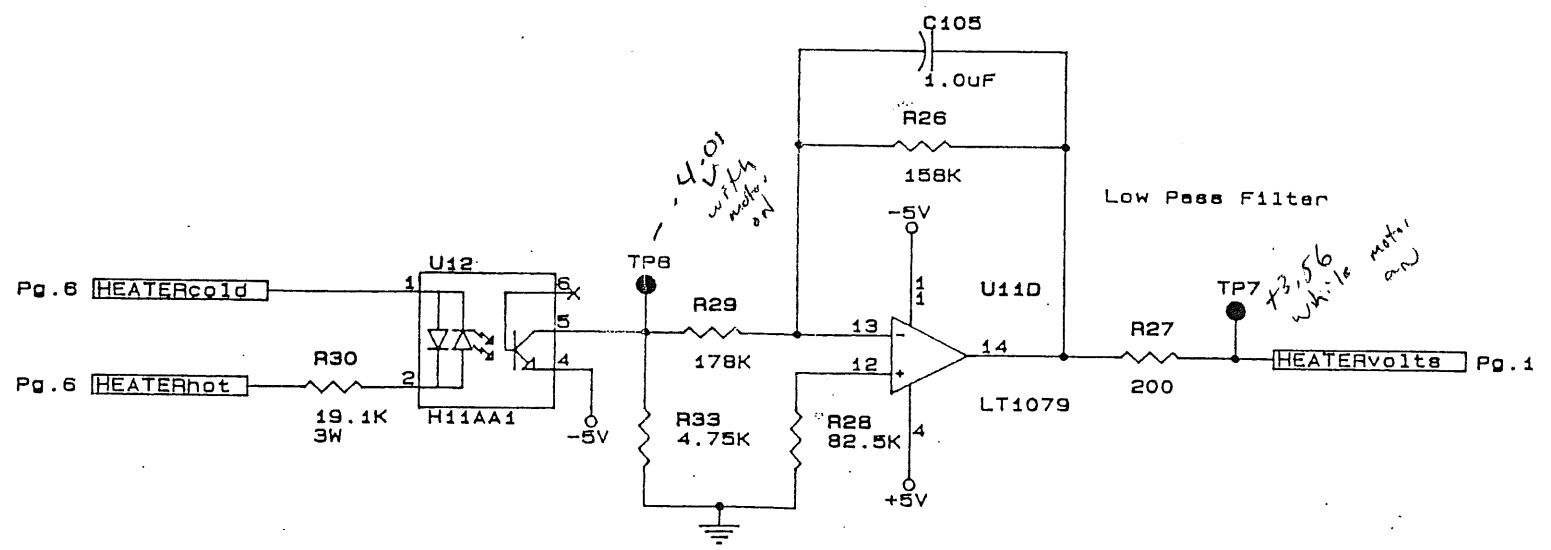
Pg.6 MOTORfuse
Pg.4 MOTORcurrent

Low 35

High 75

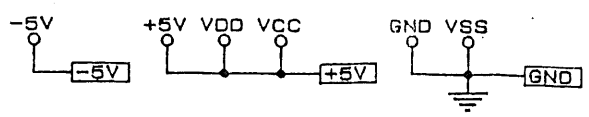
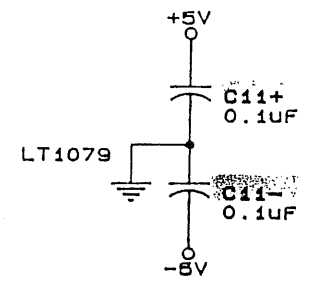


Motor Current Monitor

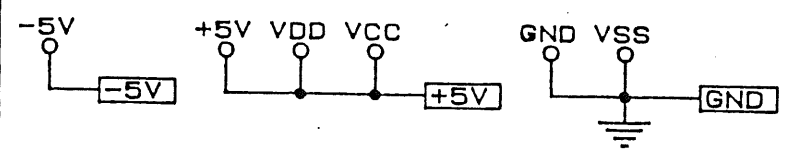
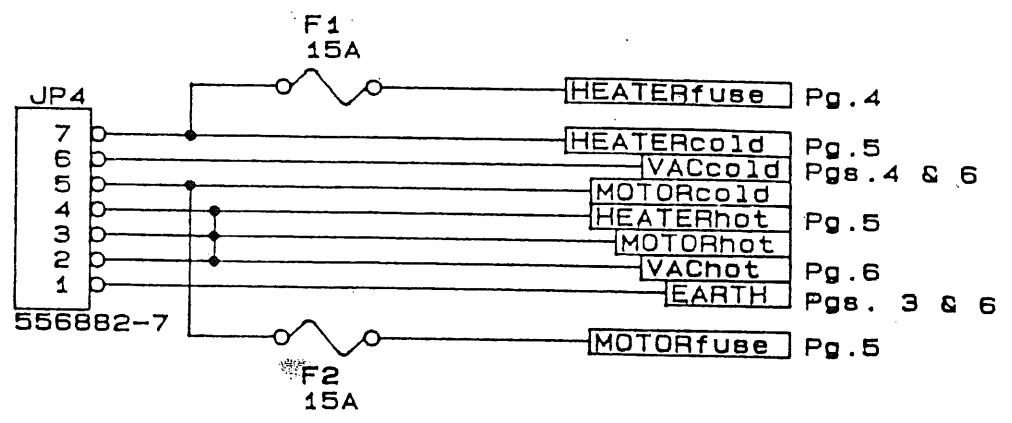
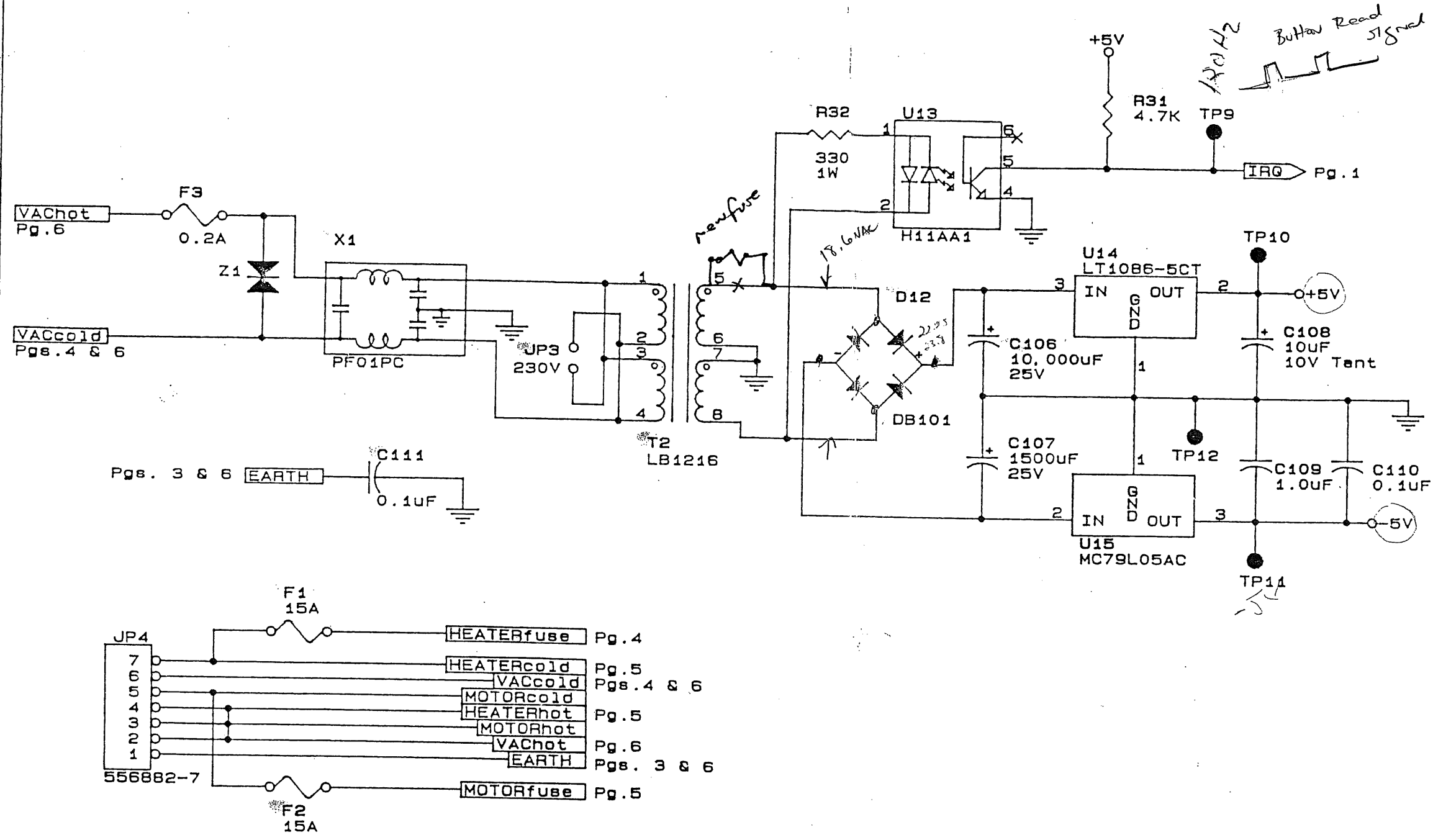


Heater Triac Firing Angle Monitor

Decoupling Capacitors



HENLEY INTERNATIONAL 104 INDUSTRIAL BLVD. SUGAR LAND, TX 77478			
Heater Triac Firing Angle Monitors			
Fluido Therapy Motor Current and			
SIZE B	CAGE CODE	DWG NO	REV C
January 3, 1998		SCALE	SHEET 5 OF 6



HENLEY INTERNATIONAL
 104 INDUSTRIAL BLVD.
 SUGAR LAND, TX 77478

Fluid Therapy Power Supply

January 3, 1996	SIZE A	CAGE CODE	DWG NO	REV C
SCALE	SHEET		6 OF	6