

NOTE: USED 5/29/10 TO PRESENT (CHINA MOTORS)

PARTS KEY

- POT** - MO-259
- SW2** - SW-1236
- SW3** - SW-1237
- SW4** - SW-1236
- SW5** - SW-1238
- TIMER** - 72139
- LAMP** - DS-1239
- REED SWITCHES** - SW-235
- DIODES** - DS-236

- T1 Transformer** - H-A-1005
- Heat Control** - H-RY-303

DIMENSIONS ARE IN INCHES
 TOLERANCES:
 FRACTIONAL ± .0625
 ANGULAR: MACH ± 1 BEND ± 1
 ONE PLACE DECIMAL ± .1
 TWO PLACE DECIMAL ± .05
 THREE PLACE DECIMAL ± .005
 DO NOT SCALE DRAWING

PROPRIETARY AND CONFIDENTIAL
 THE INFORMATION CONTAINED
 IN THIS DRAWING IS THE SOLE
 PROPERTY OF PIVOTAL HEALTH.
 ANY REPRODUCTION IN PART OR
 AS A WHOLE WITHOUT THE WRITTEN
 PERMISSION OF PIVOTAL HEALTH
 SOLUTIONS IS PROHIBITED.

Pivotal Health Solutions
 724 Oakwood Drive
 Watertown, SD 57201
 pivotalhealthsolutions.com
 ph. 605-753-0110
 fax. 605-882-8398

Rev: B

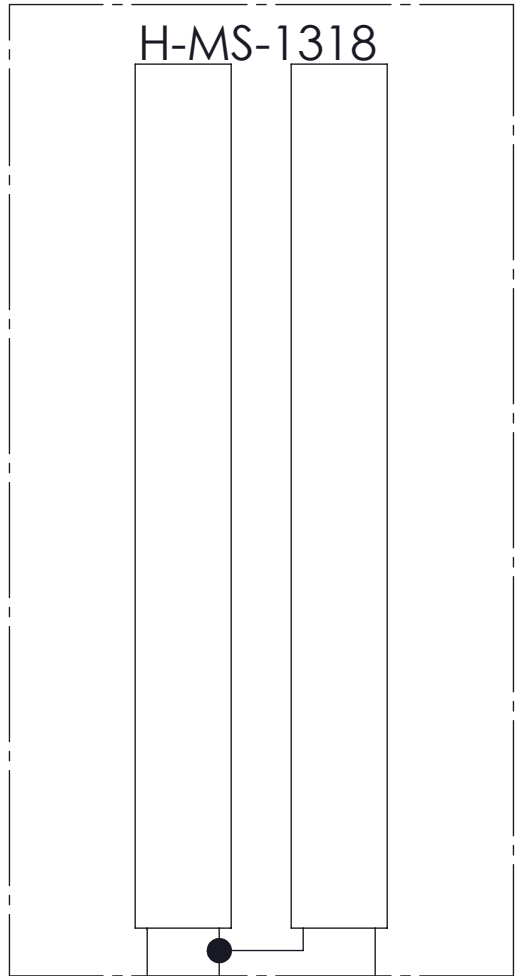
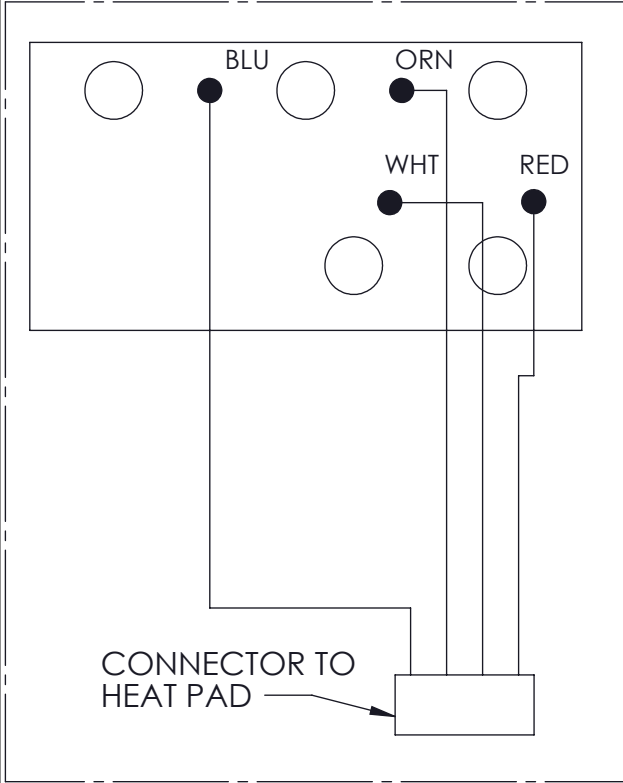
MATERIAL					FINISH				
DESC.									
PART NUMBER - NAME									
H-ATT- SCH									
SIZE: A	SCALE: 1:4	SAVE: 11/4/2011	WEIGHT: lbs	ENGR.	SHEET 1 OF 3				



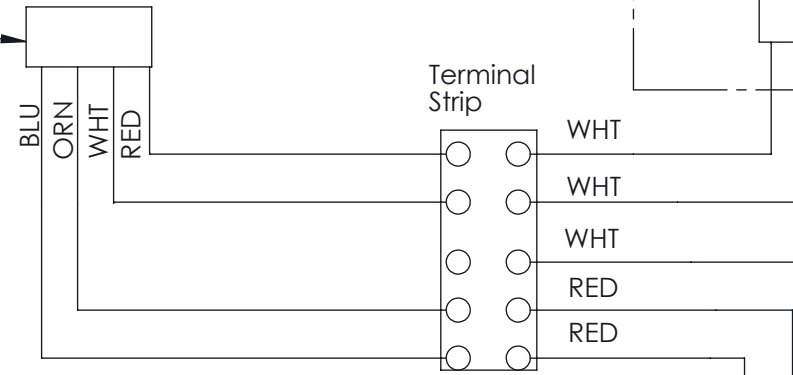
HEATING ELEMENTS

H-MS-1318

FROM PAGE 1



Terminal Strip



HEAT THERMISTOR
H-RY-1245

DIMENSIONS ARE IN INCHES
TOLERANCES:
FRACTIONAL ± .0625
ANGULAR: MACH ± 1 BEND ± 1
ONE PLACE DECIMAL ± .1
TWO PLACE DECIMAL ± .05
THREE PLACE DECIMAL ± .005
DO NOT SCALE DRAWING

PROPRIETARY AND CONFIDENTIAL
THE INFORMATION CONTAINED
IN THIS DRAWING IS THE SOLE
PROPERTY OF PIVOTAL HEALTH.
ANY REPRODUCTION IN PART OR
AS A WHOLE WITHOUT THE WRITTEN
PERMISSION OF PIVOTAL HEALTH
SOLUTIONS IS PROHIBITED.

Pivotal Health Solutions
724 Oakwood Drive
Watertown, SD 57201
pivotalhealthsolutions.com
ph. 605-753-0110
fax. 605-882-8398

Rev: B

MATERIAL					FINISH
DESC.					
PART NUMBER - NAME					
H-ATT- SCH					
SIZE: A	SCALE: 1:4	SAVE: 11/4/2011	WEIGHT: lbs	ENGR.	SHEET 2 OF 3

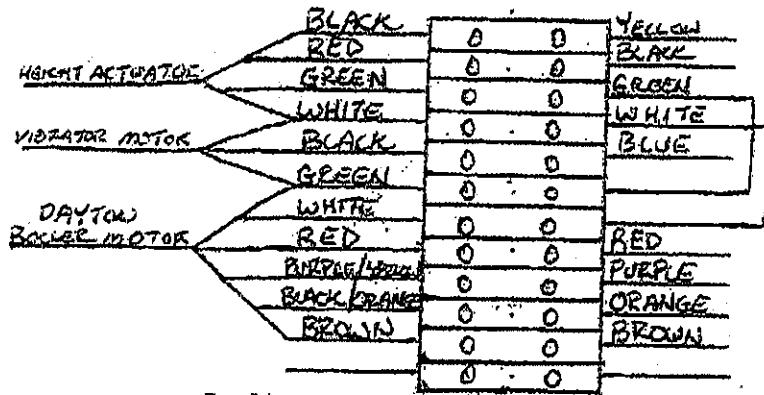
REVISIONS

ECO	Rev.	Engineer	Date	Approval	Date	ALE/AAL	Date	Changes
2659	A	QJG	4/15/2011	ET	6/8/2011			Release
2879	B	QJG	10/24/2011	ET	11/04/2011			On turn around motor moved blue wiire to capactitory, and red wie goes to black.

DIMENSIONS ARE IN INCHES TOLERANCES: FRACTIONAL $\pm .0625$ ANGULAR: MACH ± 1 BEND ± 1 ONE PLACE DECIMAL $\pm .1$ TWO PLACE DECIMAL $\pm .05$ THREE PLACE DECIMAL $\pm .005$ DO NOT SCALE DRAWING		PROPRIETARY AND CONFIDENTIAL THE INFORMATION CONTAINED IN THIS DRAWING IS THE SOLE PROPERTY OF PIVOTAL HEALTH. ANY REPRODUCTION IN PART OR AS A WHOLE WITHOUT THE WRITTEN PERMISSION OF PIVOTAL HEALTH SOLUTIONS IS PROHIBITED.		Pivotal Health Solutions 724 Oakwood Drive Watertown, SD 57201 pivotalhealthsolutions.com ph. 605-753-0110 fax. 605-882-8398	
MATERIAL		FINISH		Rev: B	
DESC.					
PART NUMBER - NAME					
H-ATT- SCH					
SIZE: A	SCALE: 1:4	SAVE: 11/4/2011	WEIGHT: lbs	ENGR.	SHEET 3 OF 3

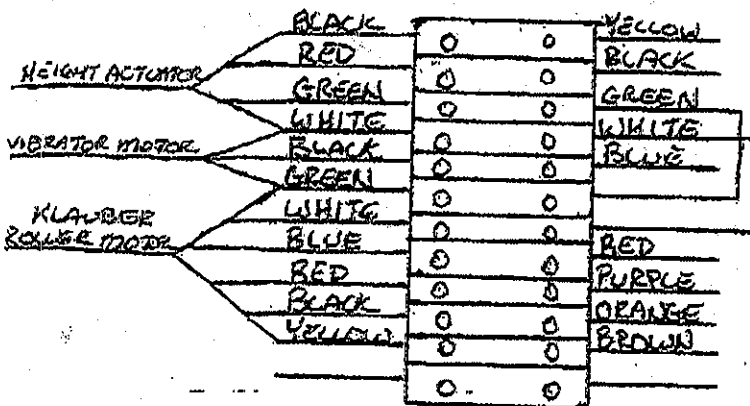
Ⓟ

Ⓐ



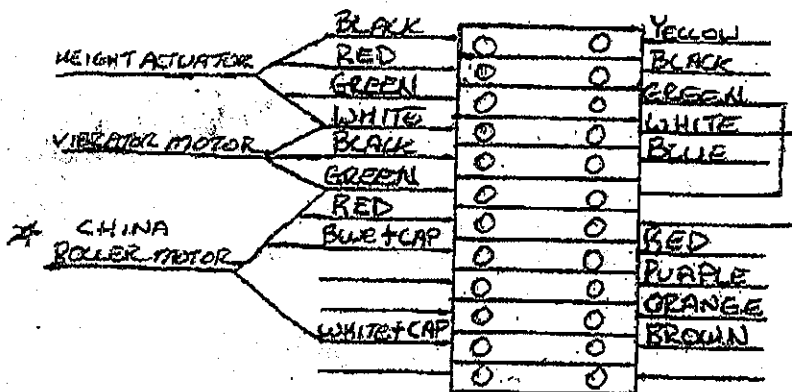
TO HARNESS

6/28/96 - 8/11/09



TO HARNESS

8/12/09 - 5/28/10



TO HARNESS

5/29/10 - PRESENT

* THE REPLACEMENT MOTOR THAT HAS BEEN SENT TO YOU HAS AN EXTERNAL CAPACITOR THAT WILL NEED TO BE MOUNTED TO THE RAM ASSEMBLY USING ONE OF THE EXISTING MOUNTING SCREWS FOR THE TERMINAL STRIP.