

REV. CHG. DATE & APPROVAL
 A PROB. NO. 11/55
 B 8200-10 TO 8211-8 WAS TO R200 2/56

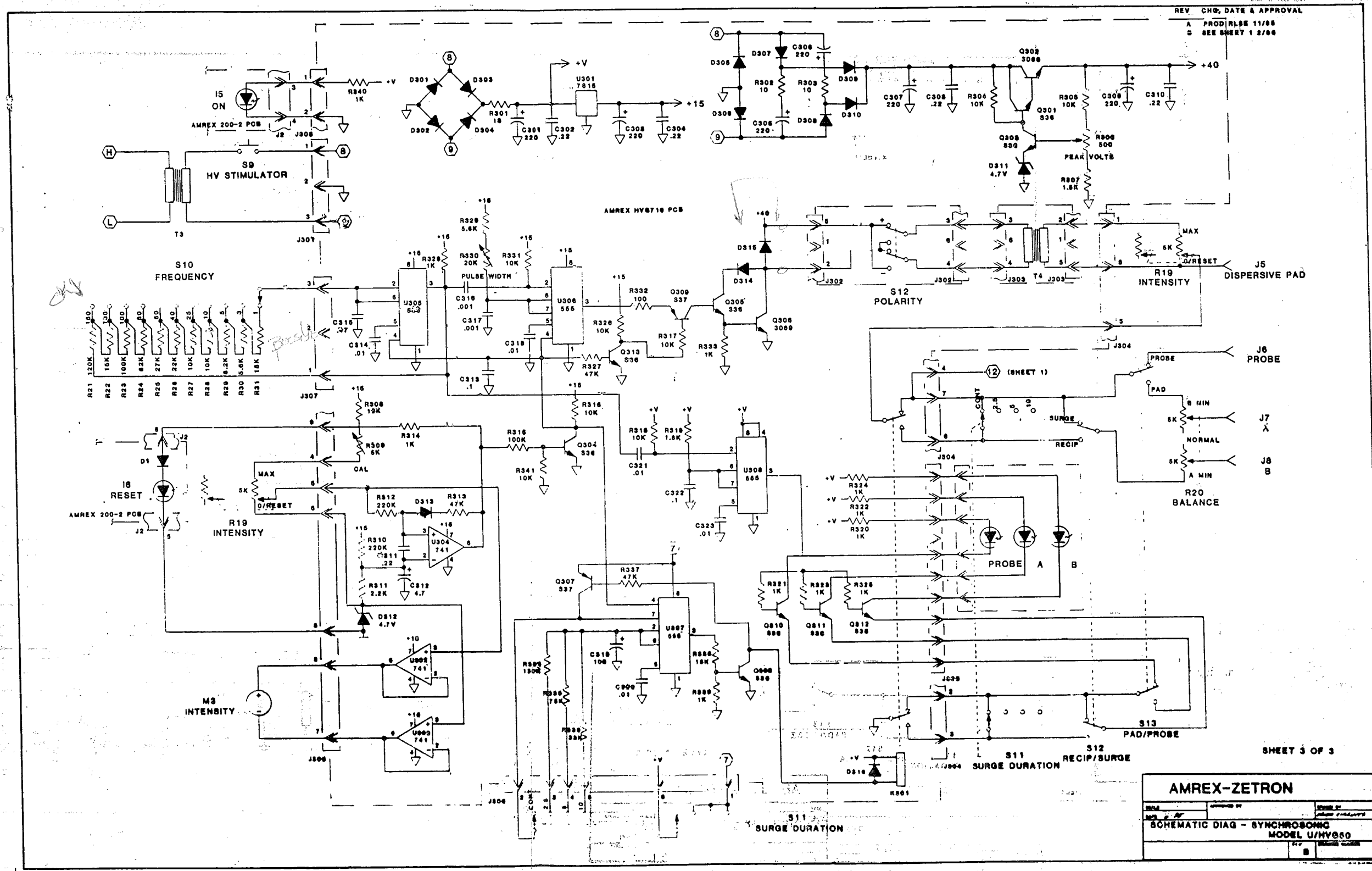
SHEET 1 OF 3

AMREX-ZETRON	
SCHEMATIC DIAG - SYNCHROSONIC	MODEL U/HVG50
REV. B	DATE

750-10
 137

U/HVG50

U4
U5
PIN 3 12-15V



REV CHG. DATE & APPROVAL
A PROD. RLSB 11/68
B SEE SHEET 1 2/69

SHEET 3 OF 3

AMREX-ZETRON		
Model	U/HV600	Version
SCHEMATIC DIAG - SYNCHROSONIC		
MODEL U/HV600		