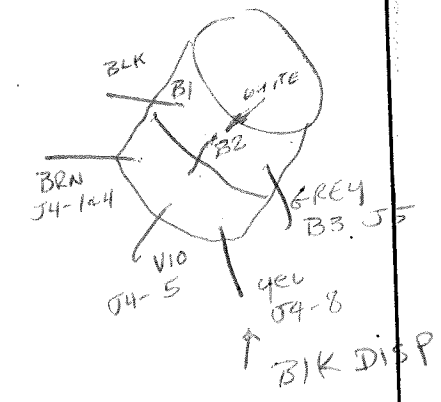
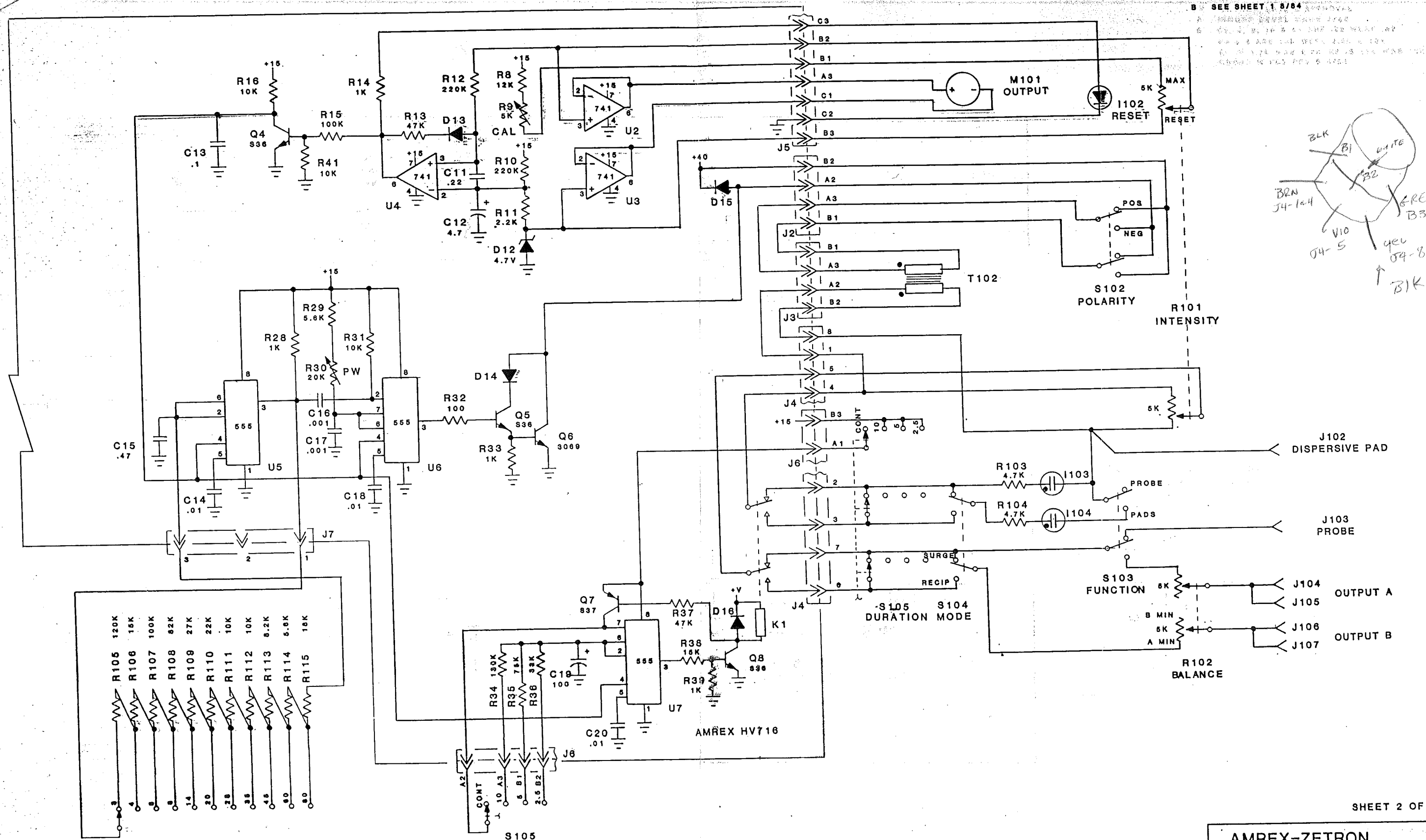


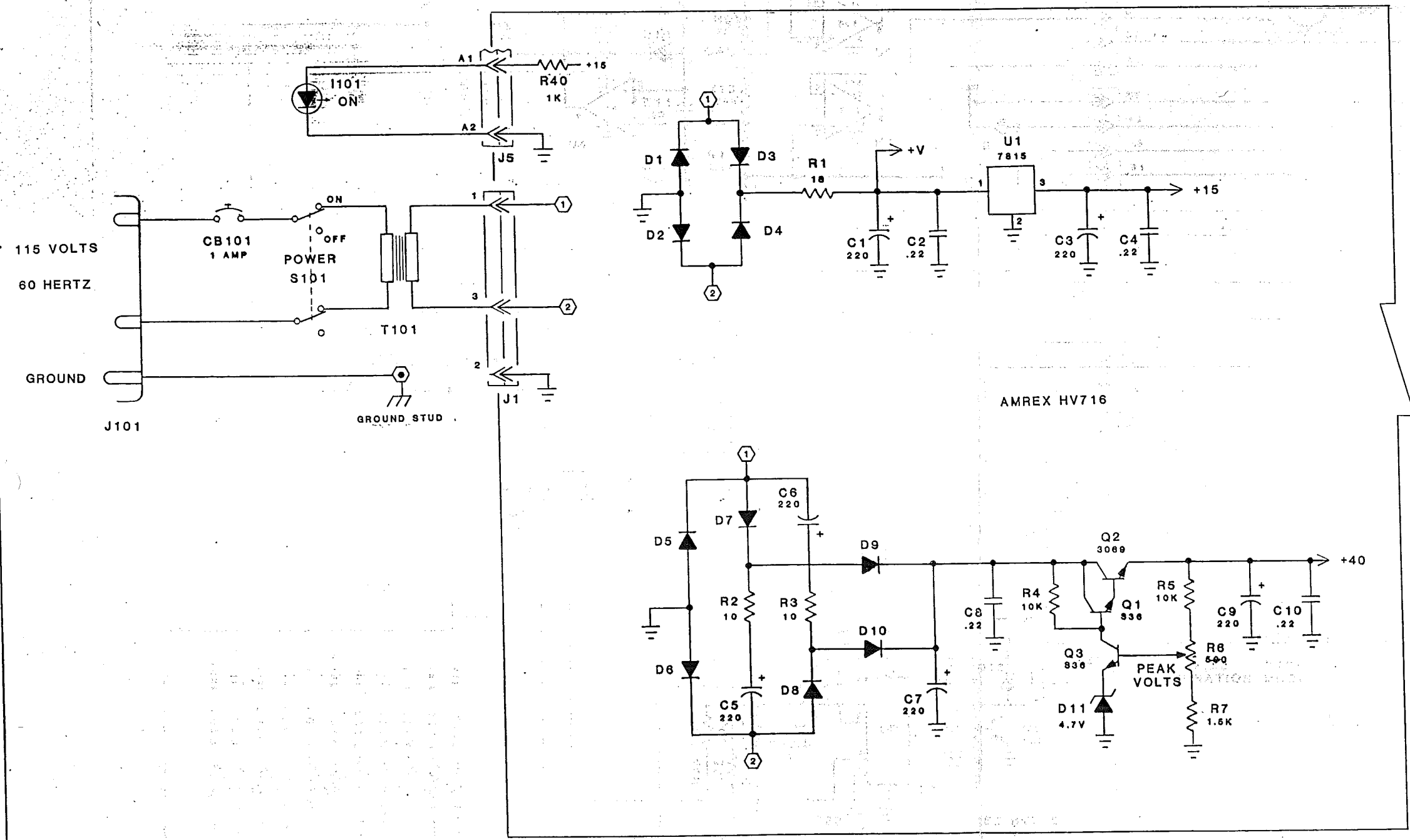
REV CHANGE, DATE & APPROVAL
 A SEE SHEET 1.
 B SEE SHEET 1 8/64



SHEET 2 OF 2

AMREX-ZETRON		
SCALE: -	APPROVED BY: -	DRAWN BY: DRAN CIRCUITS
DATE: 8-81		
SCHEMATIC DIAG - HV716		
	REV: B	DRAWING NUMBER: -

REV CHANGE, DATE & APPROVAL
 A INCORP DEVEL CHGS 2/84
 B C2, 4, 8, 10 & 11 ARE .22 WERE .47
 R4 & 5 ARE 10K WERE 2.2K & 18K
 R7 IS 1.5K WAS 2.7K R8 IS 12K WAS 18K
 COORD W PCB REV B 8/84



REFERENCE DESIGNATIONS

LAST USED	NOT USED
C20	CB101
D16	
	I104
J7	J107
K1	M101
Q8	
R41	R115 R17 THRU R27
	S106
	T102
U7	

SHEET 1 OF 2

AMREX-ZETRON

SCALE	APPROVED BY	DRAWN BY
DATE: 8-83		ALAN CLEMENT
SCHEMATIC DIAG - HV716		
	REV	DRAWING NUMBER
	B	

HV 716