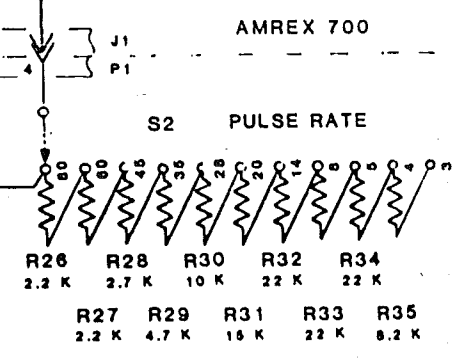
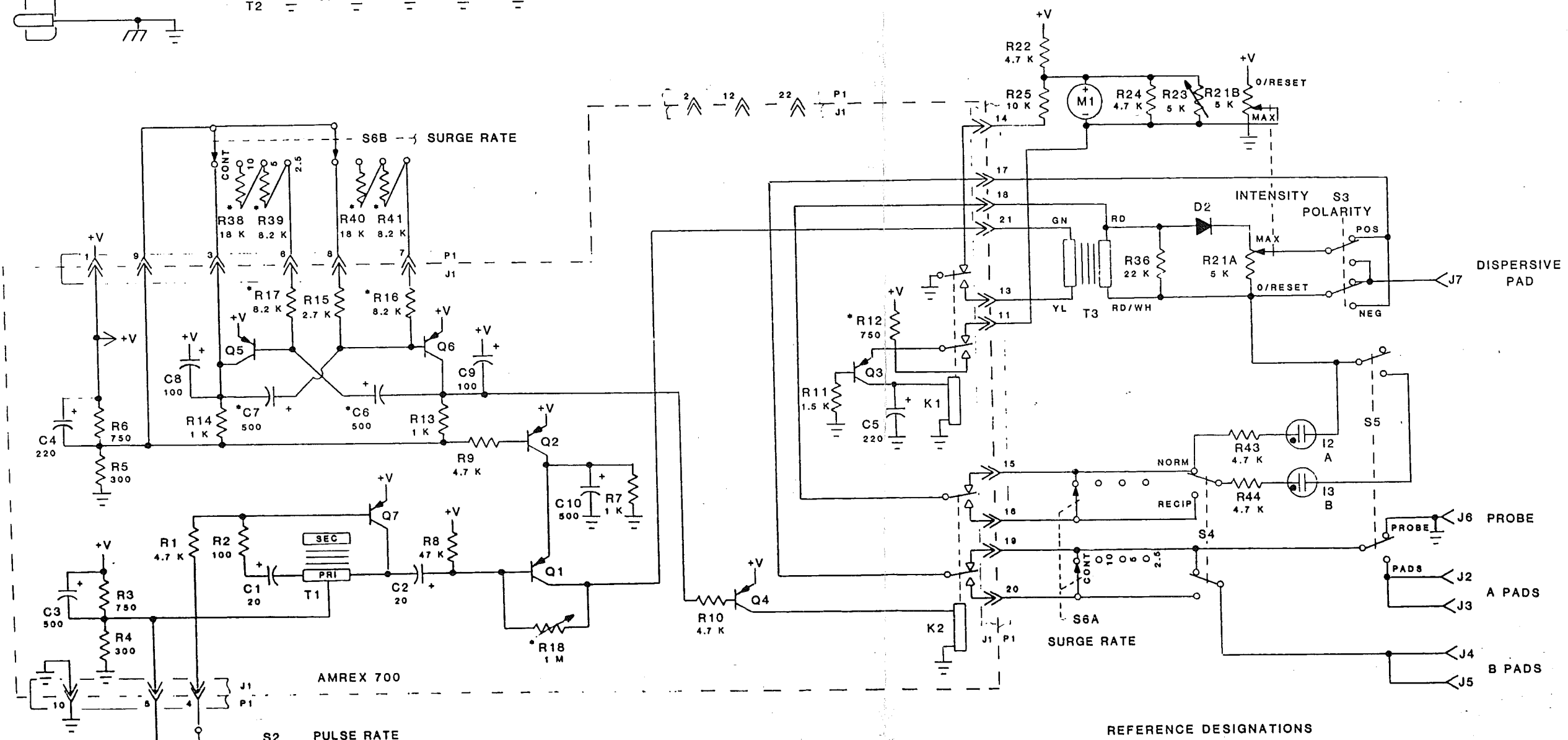
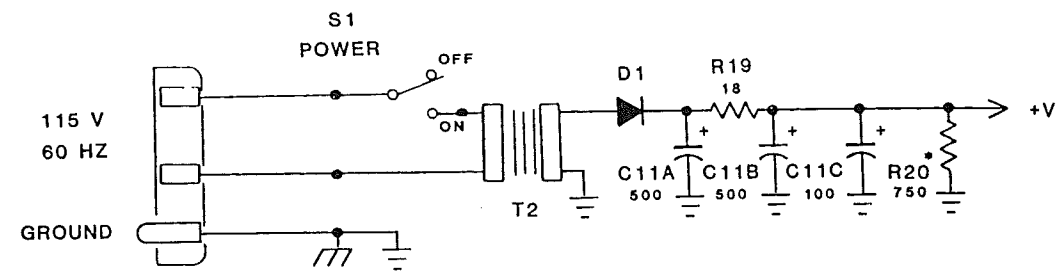


GENERAL NOTES

- ALL CAPACITANCE IN MICROFARADS & RESISTANCE IN OHMS.
- ALTERNATE VALUES USED IN SOME UNITS:
 - R16 & R17 7.5 K ± 5 %
 - R38 & R40 15 K ± 5 %
 - R39 8.8 K ± 5 %
 - R41 1.5 K ± 5 %
 - C8 & C7 470
 - R12 470 ± 5 %
 - R18 OMITTED
 - R20 1 K ± 5 %



REFERENCE DESIGNATIONS

LAST USED	NOT USED
C11	-
D2	-
I3	I1
J7	-
K2	-
M1	-
R44	R37
S6	-
T3	-

HVG 316

AMREX-ZETRON

SCALE 1/2" = 1"	APPROVED BY [Signature]	DRAWN BY [Signature]
DATE 2-3-62		
SCHEMATIC DIAG - HV H.V.G. 316		
	DIVISION A	DRAWING NUMBER