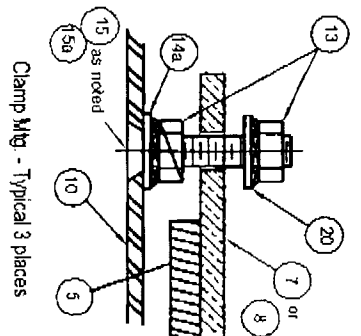
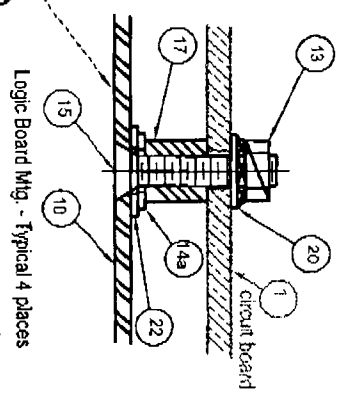


**PARTS LIST**

ITEM NO.	PART NO.	DESCRIPTION	QTY.
1	224-442-00	LOGIC BOARD ZIII VL	1
2	225-013-01	SERVICE INDICATOR HARNESS	1
3	225-018-10	SLIDE POT HARNESS	1
4	225-021-00	LOG READY HARNESS VL ZIII	1
5	264-052-00	RUBBER STRIP ADHESIVE BACKED 1/8"X1/2"	4*
6	362-820-00	SIDE COVER VL ZIII PAINTED	1
7	362-821-01	CABLE CLAMP BAR LONG	1
8	362-821-02	CABLE CLAMP BAR SHORT	1
9	380-819-00	SIDE COVER HINGE	1
10	380-820-00	SIDE COVER MOUNTING PLATE VL ZIII	1
11	380-824-00	HINGE BACKUP PLATE	1
12	N03-008-00	NUT, 8-32 ELASTIC STOP	3
13	N09-500-01	6-32 NUT W/CAPTIVE LOCKWASHER	10
14	S05-008-08	SCREW, FLAT 8-32X1/2	3
14a	W01-008-00	#8 FLAT WASHER	10
15	S05-006-12	SCREW 6-32X3/4 PHIL FLT HD	6
15a	S05-006-06	SCREW 6-32X1/2 PHIL FLT HD	3
16	S14-008-06	SCREW 8-32X3/8 PHIL RD HD	3
17	S17-375-17	#8-32 NYLON HEX STANDOFF 1/4"LG, ALLIED #839-2250	4
18	S62-0M3-06	3MM X .5 PITCH X 6MM LONG PHIL HD MACH SCREW	2
19	W01-004-00	#4 FLAT WASHER Sln SH	2
20	W01-006-00	WASHER #8 FLAT	7
21	W06-008-00	#8 SPLIT RING LOCKWASHER ZINC	3
22	W01-010-00	#10 FLAT WASHER	3
23	237-035-00	1/2" Nylon Cable Clamp	1
24	237-017-00	Temperman Clip #C8115-1024	2
25	S05-010-16	#10-24 x 1" 2phl Flat Hd Screw	2
26	W00-010-30	#10 FINISH WASHER	2
27	282-622-00	SLIDER KNOB	1
28	324-017-00	Switch Lens	1
28	221-006-00	Consists of 1 - Nylon sw lens #224-016-00 & 1 - label # 254-110-00 Switch	1



IMPORTANT:  
ORIENT CABLE CLAMP AS  
SHOWN

Clamp Mfg - Typical 3 places

Logic Board Mfg - Typical 4 places

**WILLIAMS**  
100 L EXHIB, CON LINES #10

DRAWING TITLE: **SIDE COVER SUBASSEMBLY VL ZIII**

DATE: 03.08.01  
DWG IS: APP. SCALE:  
DESIGN: J.S. PFR. SCALE:

PRODUCTION = 2 1/4"  
ANGLE = ± 0.1°  
DIM = ± 0.005  
DO NOT SCALE DRAWING

MATERIAL:  
DATE NO.  
DRAWING NO. **100-856-00**

Rev A EN-01-010 5/23/01