

1

2

3

4

D

D

C

C

B

B

A





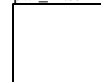
A

# RICH-MAR

## THERASOUND 3 SERIES ULTRASOUND

### - MAIN BOARD -

### Rev. F

MCU mcu_1k.sch	DATA CONV conv_1k.sch	RF AMP rf_1k.sch	BOARD I/O io_1k.sch	POWER pwr_1k.sch
				

Title <b>THERASOUND MAIN BOARD</b>			
Size: A	Number: <b>SET02F</b>	Rev: F	Sheet 1 of 9
Date: 11-Jan-2002	Drawn by: B.Reddy		
File: X:\Rich-Mar\US1000\RevF\Main\Schem\US1000.DDB - Documents\Us750_1k.pr			

**RICH-MAR  
CORP.**

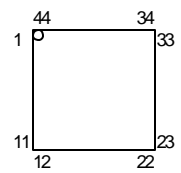
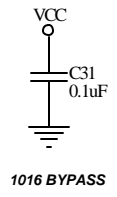
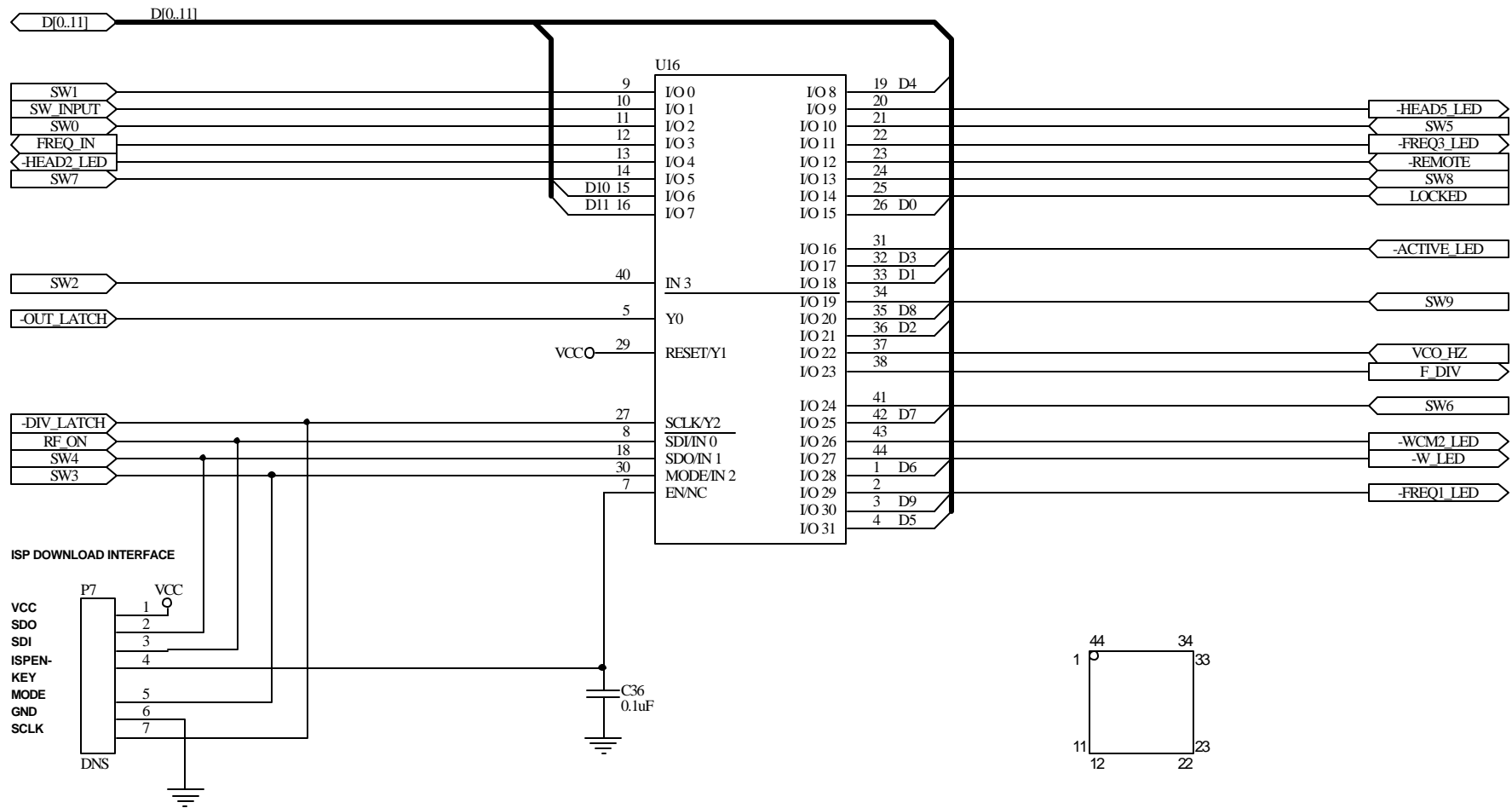
1

2

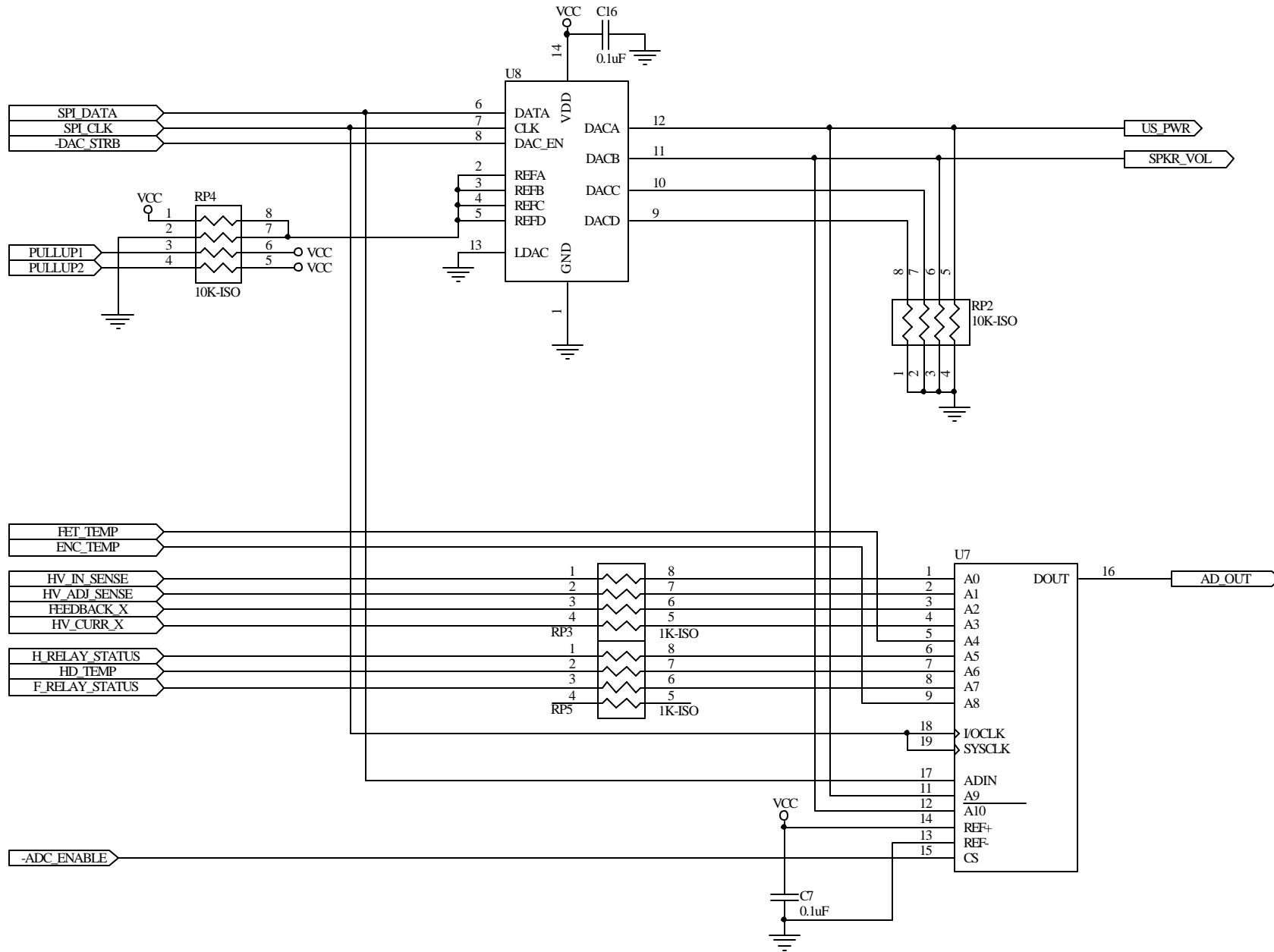
3

4





Title				GEN I/O		RICH-MAR CORP.	
Size: A	Number: SET02F	Rev: F	Sheet 3 of 9				
Date: 11-Jan-2002		Drawn by: B.Reddy					
File: X:\Rich-Mar\US1000\RevB\Main\Schem\US1000.DDB - Documents\cpld_1k.sch							



CONV GAIN  
gain\_1k.sch

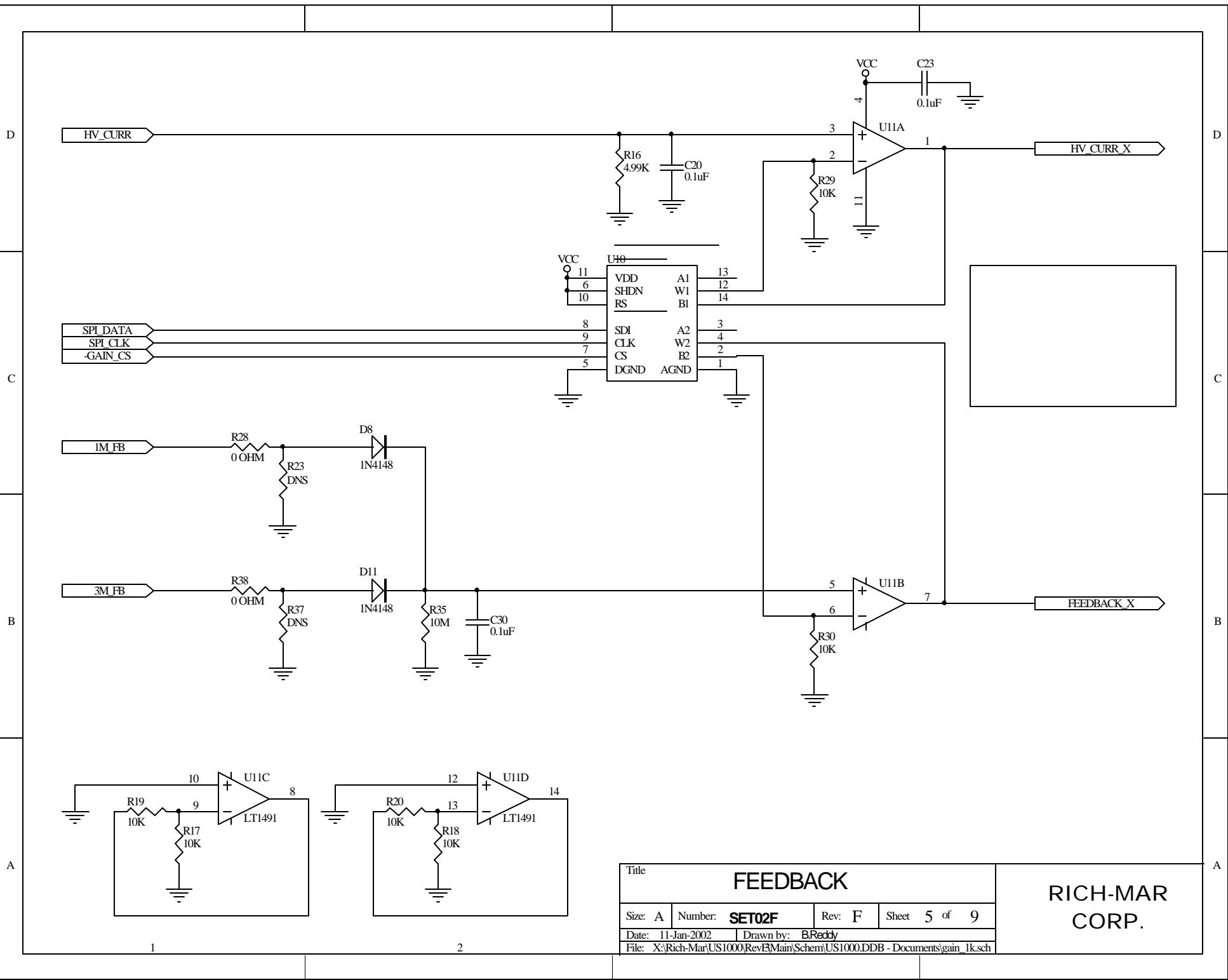


1

2

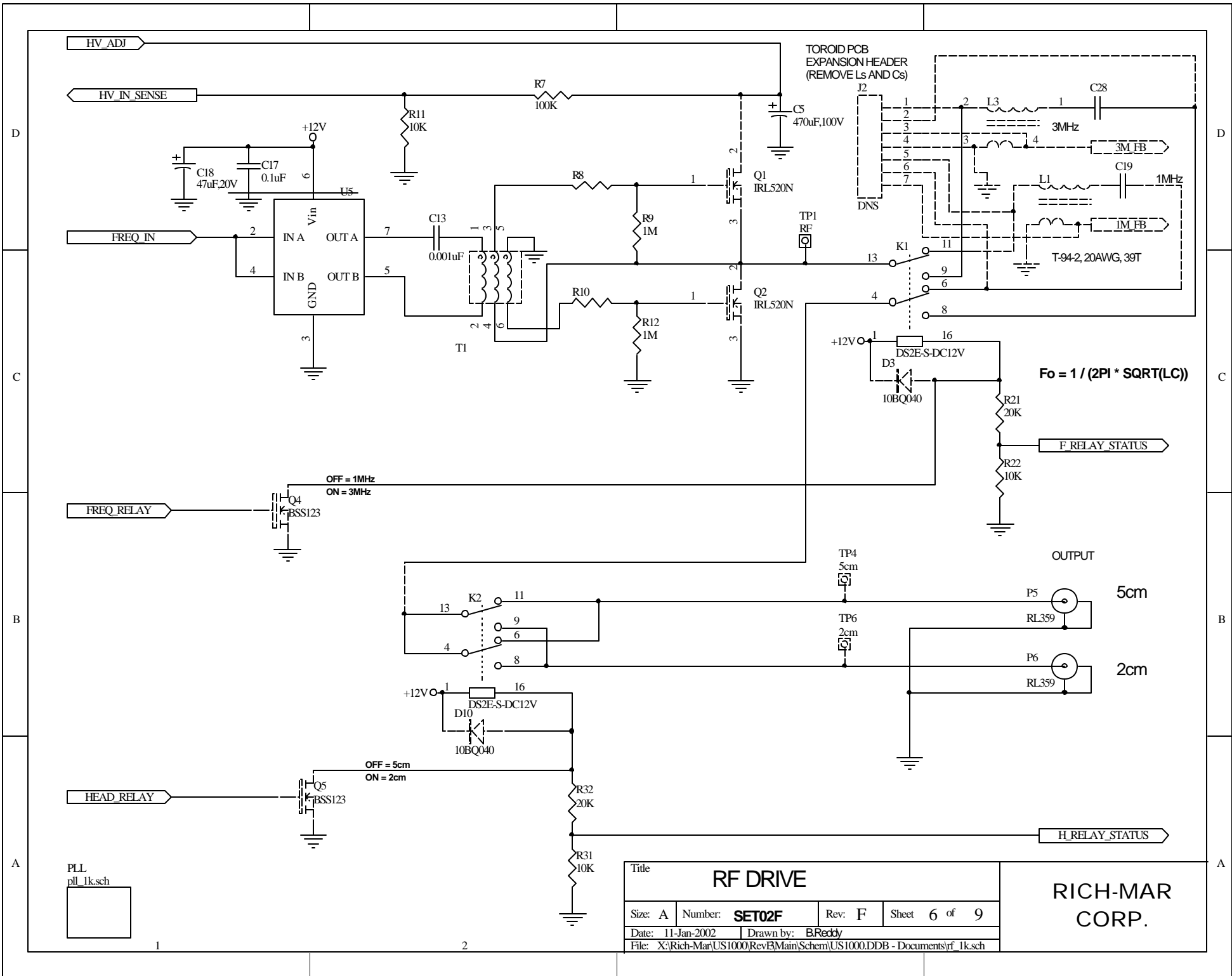
Title			
<b>DATA CONVERSION</b>			
Size: A	Number: <b>SET02F</b>	Rev: F	Sheet 4 of 9
Date: 11-Jan-2002	Drawn by: B.Reddy		
File: X:\Rich-Mar\US1000\RevB\Main\Schem\US1000.DDB - Documents\conv_1k.sch			

**RICH-MAR  
CORP.**



Title				<b>FEEDBACK</b>			
Size: A	Number: <b>SET02F</b>	Rev: F	Sheet 5 of 9				
Date: 11-Jan-2002		Drawn by: B.Reddy					
File: X:\Rich-Mar\US1000\RevB\Main\Schem\US1000.DDB - Documents\gain_1k.sch							

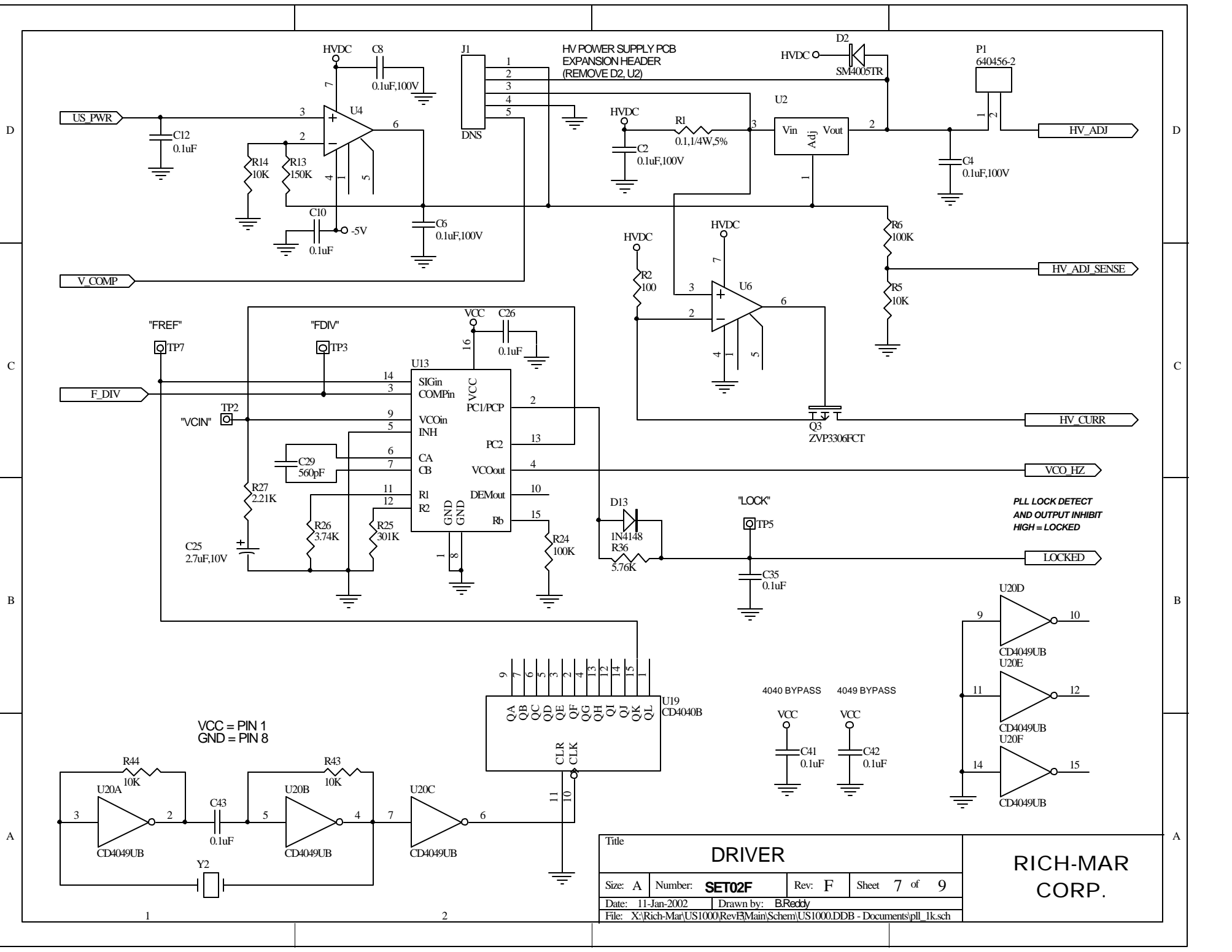
**RICH-MAR  
CORP.**



PLL  
pll\_1k.sch

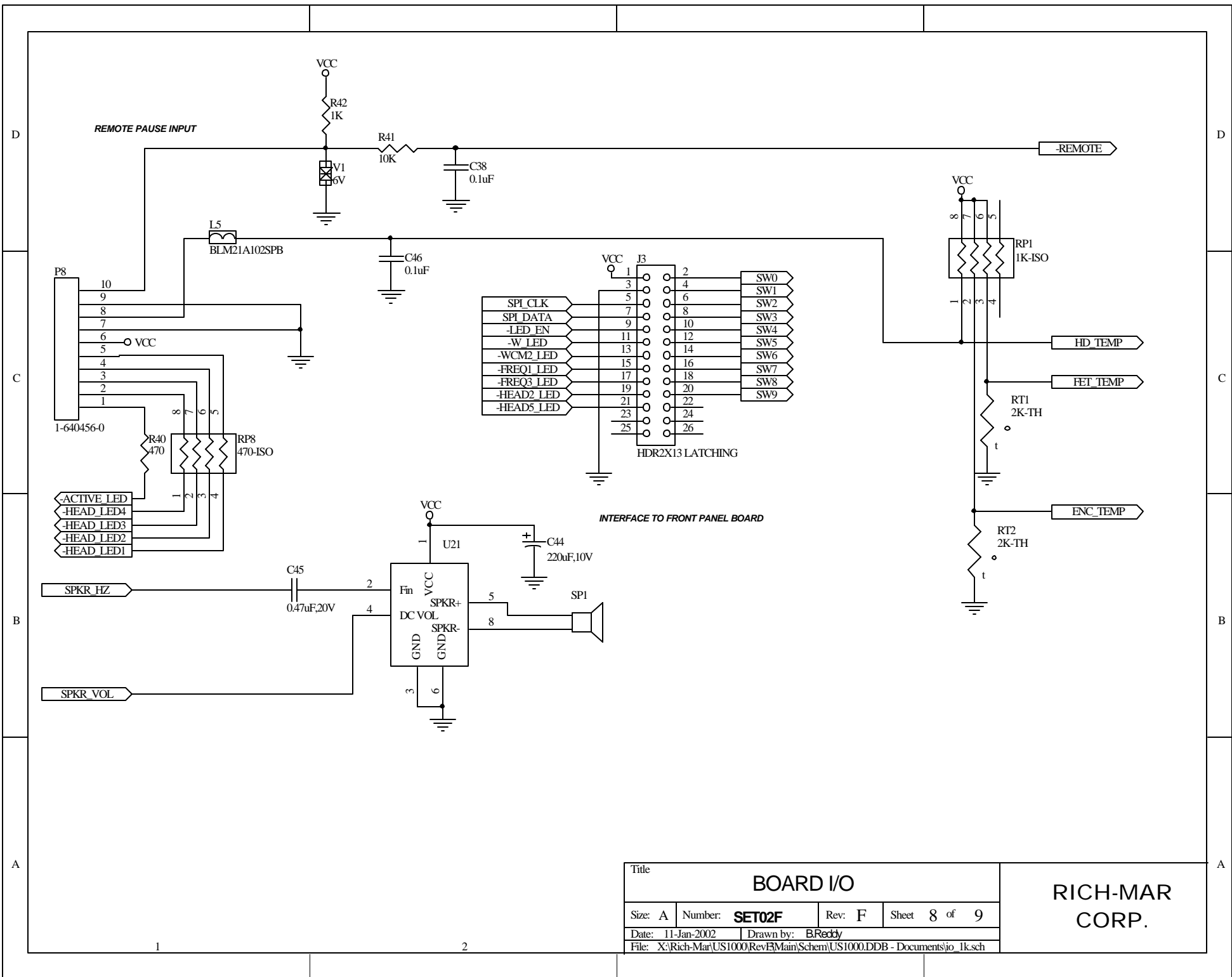
Title			
<b>RF DRIVE</b>			
Size: A	Number: SET02F	Rev: F	Sheet 6 of 9
Date: 11-Jan-2002	Drawn by: B.Reddy		
File: X:\Rich-Mar\US1000\RevBMain\Schem\US1000.DDB - Documents\rf_1k.sch			

**RICH-MAR  
CORP.**



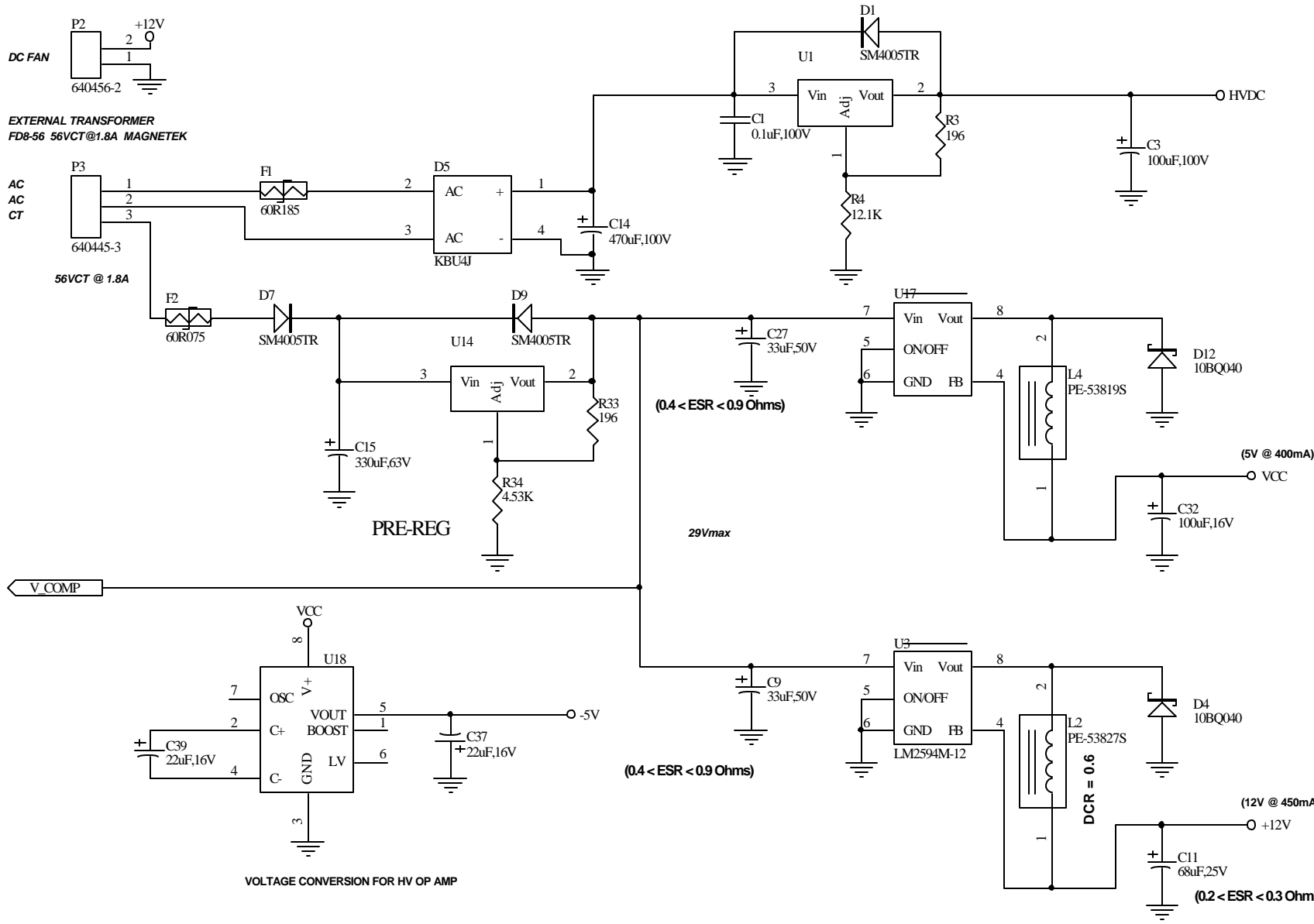
Title			
<b>DRIVER</b>			
Size: A	Number: <b>SET02F</b>	Rev: F	Sheet 7 of 9
Date: 11-Jan-2002	Drawn by: B.Reddy		
File: X:\Rich-Mar\US1000\RevF\Main\Schem\US1000.DDB - Documents\pll_1k.sch			

**RICH-MAR  
CORP.**



Title			
<b>BOARD I/O</b>			
Size: A	Number: <b>SET02F</b>	Rev: F	Sheet 8 of 9
Date: 11-Jan-2002	Drawn by: B.Reddy		
File: X:\Rich-Mar\US1000\Rev\Main\Schem\US1000.DDB - Documents\io_1k.sch			

**RICH-MAR  
CORP.**



All resistors are 1%, 1/8 W unless otherwise noted  
 All caps are +/- 20%, 100V unless otherwise noted

Title			
<b>POWER SUPPLY</b>			
Size: A	Number: <b>SET02F</b>	Rev: F	Sheet 9 of 9
Date: 11-Jan-2002	Drawn by: B.Reddy		
File: X:\Rich-Mar\US1000\RevF\Main\Schem\US1000.DDB - Documents\pwr_1k.sch			

**RICH-MAR  
CORP.**