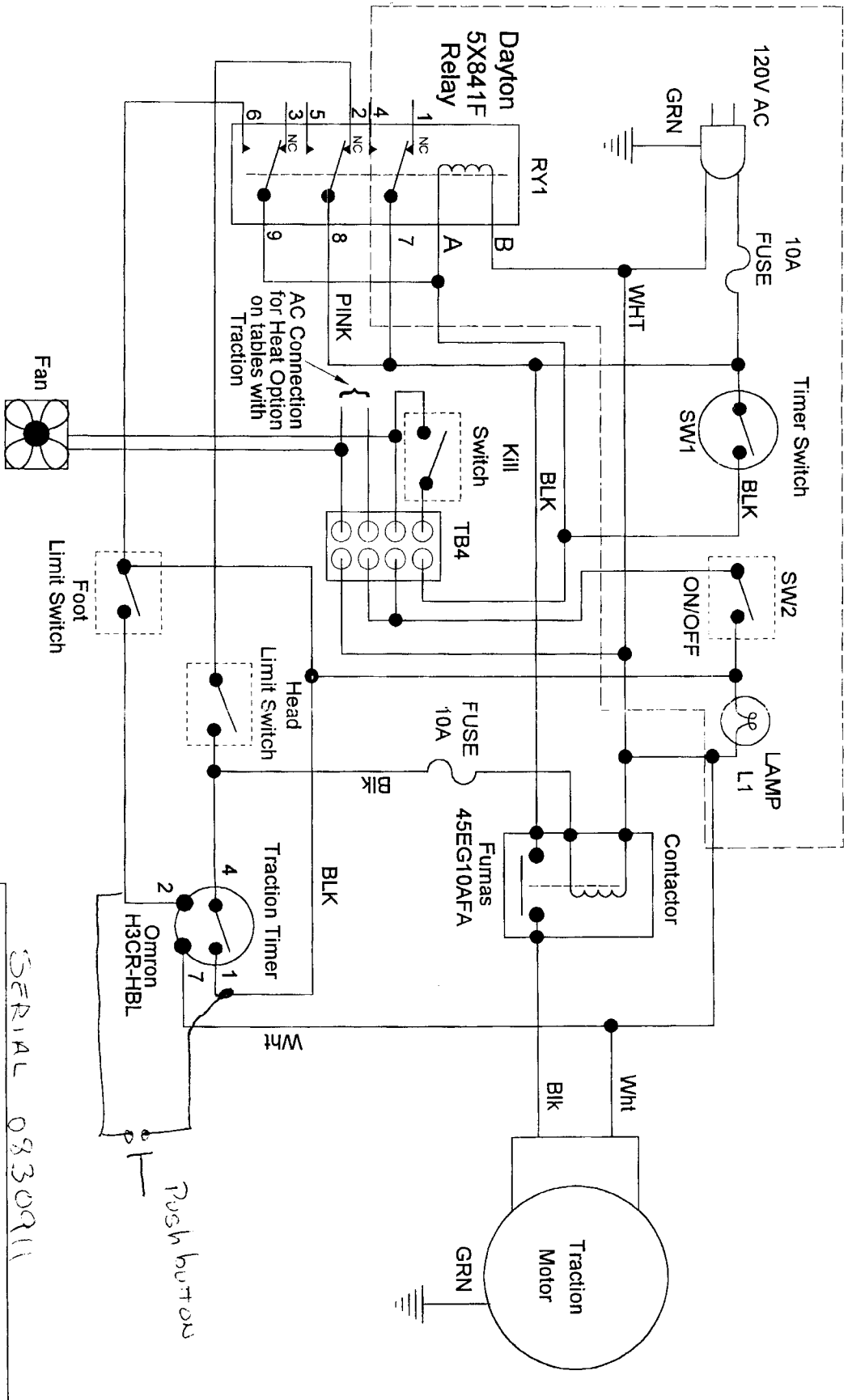


Area inside Dotted line is on page 1 of schematic.



SERIAL 0830911

Health Care Manufacturing, Inc.

Material:

DRAWN D. McFate 9-15-95

Schematic:

CHECKED

ATT

ENGINEER

LAT Traction Option

APPROVED

DWG NUMBER  
atsch3.mtc

Finish:

SCALE

REV - SHEET 3 of 3